

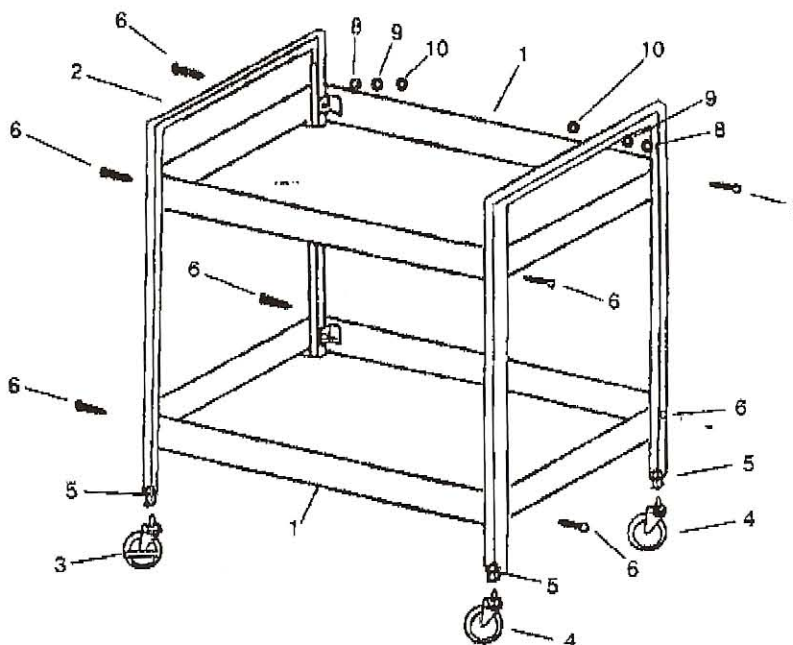


MB80UC

Utility Cart

ASSEMBLY INSTRUCTIONS

- Step 1** Slide chrome legs (#2) into square holes cut in tray (#1) until bolt holes are aligned at top of legs.
(Use tray with locking cover if this feature is available with model purchased.)
- Step 2** Insert bolt (#6) into hole on leg and tray. Fasten nut (#10) using lock washer (#9) and flat washer (#8), but do not tighten nut completely at this time. Repeat this procedure on all four corners.
- Step 3** Repeat Step 1 with second tray (#1) at bottom of legs.
- Step 4** Repeat Step 2 with bottom tray (#1).
- Step 5** Insert wheels (#4) into the hole of plastic insert (#5).
- NOTE:** Insert the two locking wheels (#3) at the same end of the cart.
- Step 6** Now go back and tighten all loose nuts and bolts (Torque to 60 in.-lbs.).
- Step 7** For drawer assembly instructions, if this feature is available with model purchased, go to Step 8 on reverse side.



PARTS LIST

Item No.	Part No.	No. Req'd	Description
2	SC7	2	Chrome Leg/ea.
3	SCPLW	2	Locking Casters/ea.
4	SCPW	2	Non-Locking Casters/ea.
5	SCPP1	1	Set of 4 Plastic Inserts
6	SCPHK	1	Bolt Kit (Incl. 8 ea. of #8, 9, 10)
	RBSLIDE		Roller Bearing Slide/ea.

Also Available:

8006HDL	Drawer Handle
8006HDLB	Black Handle for Yellow Drawer
8006LK	Drawer Lock with Keys
8006SC	Drawer Spring Clip/ea.
8006LK2	Matching Locks for Drawer and Top/pr.