



TROUBLESHOOTING

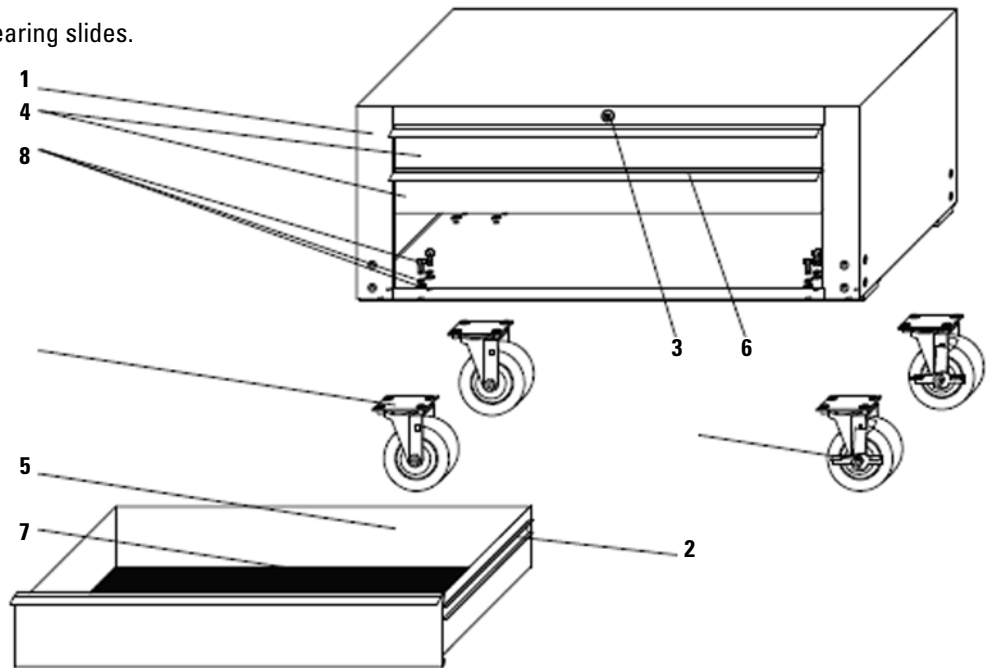
Troubleshooting Points during MB197UCAD Assembly.

Problem: Drawers appear not to fit, do not slide in accurately and bump the cart sides.

Solution: The roller bearing slides must be fully engaged into the mounting slots on all drawers. They potentially could fall out of position in shipment or during assembly. Remove the drawer that is out of position. The drawer is removed by the two clips on the roller bearing slides.

Simply push the roller bearing slide back down into position.

Insert the drawer back onto the roller bearing slides.



PARTS LIST

Item No.	Part No.	No. Req'd	Description
1		1	Add-On Drawer Frame
2	RS195SL RS89DET8PK	3	Roller Bearing Slides/Pair with 2 #6 Screws Detents For Roller Bearing Slides (Pack Of 8)
3	RS197LK2	1	Set of 2 Locks with keys, keyed alike, for MB197UC/MB197UCAD (for lock used on MB197UCAD, discard latch)
4	RS197UCADLR MBD197UCAD1 MBD197UCAD1BK MBD197UCAD1BL MBD197UCAD1YE MBD197UCAD1LG MBD197UCAD1OR MBD197UCAD1PP MBD197UCAD1GRAY	1 2	Locking Rod, Pin, and Connector (excl. lock) Red 3" Drawer Black 3" Drawer Blue 3" Drawer Yellow 3" Drawer Lime Green 3" Drawer Orange 3" Drawer Purple 3" Drawer Gray 3" Drawer
5	MBD197UCAD4 MBD197UCAD4BK MBD197UCAD4BL MBD197UCAD4YE MBD197UCAD4LG MBD197UCAD4OR MBD197UCAD4PP MBD197UC4GRAY	1	Red 4" Drawer Black 4" Drawer Blue 4" Drawer Yellow 4" Drawer Lime Green 4" Drawer Orange 4" Drawer Purple 4" Drawer Gray 4" Drawer
6	RS197UCDH	3	Drawer Handle Chrome
7	RS195UC3LK	1	EVA Liners (set of 3) for drawers
8	RS195UCADBK RS197UCDHBK	1 1	Bolt Kit Drawer Handle - Black

TOOLS NEEDED FOR ASSEMBLY:

T45 Torx Driver or Torx Key
 14mm Combination Wrench,
 Socket, or Universal Socket
 4" Extension and Ratchet

Optional: MB190UCRC Rigid Caster/each.
 (If using these casters, attach with the bolts
 included with the MB197UCAD).

Only items identified by part number are available for purchase.