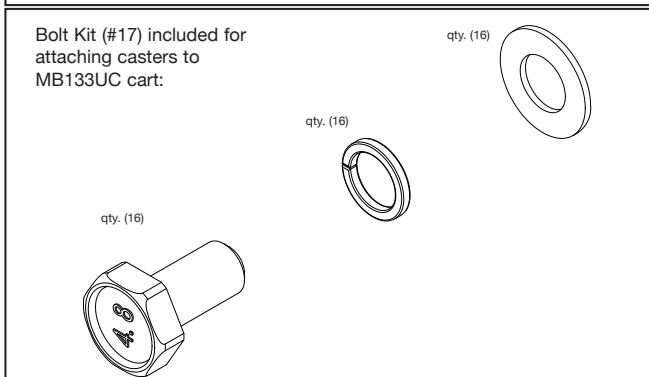
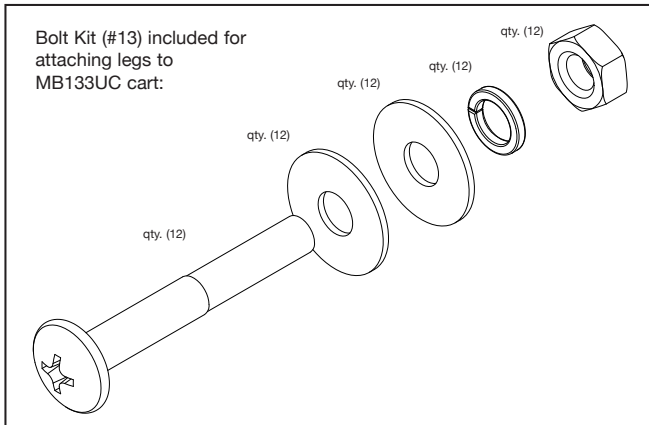
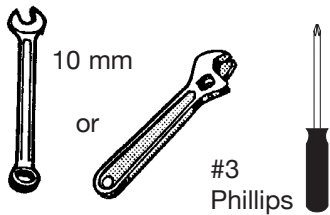


ASSEMBLY INSTRUCTIONS

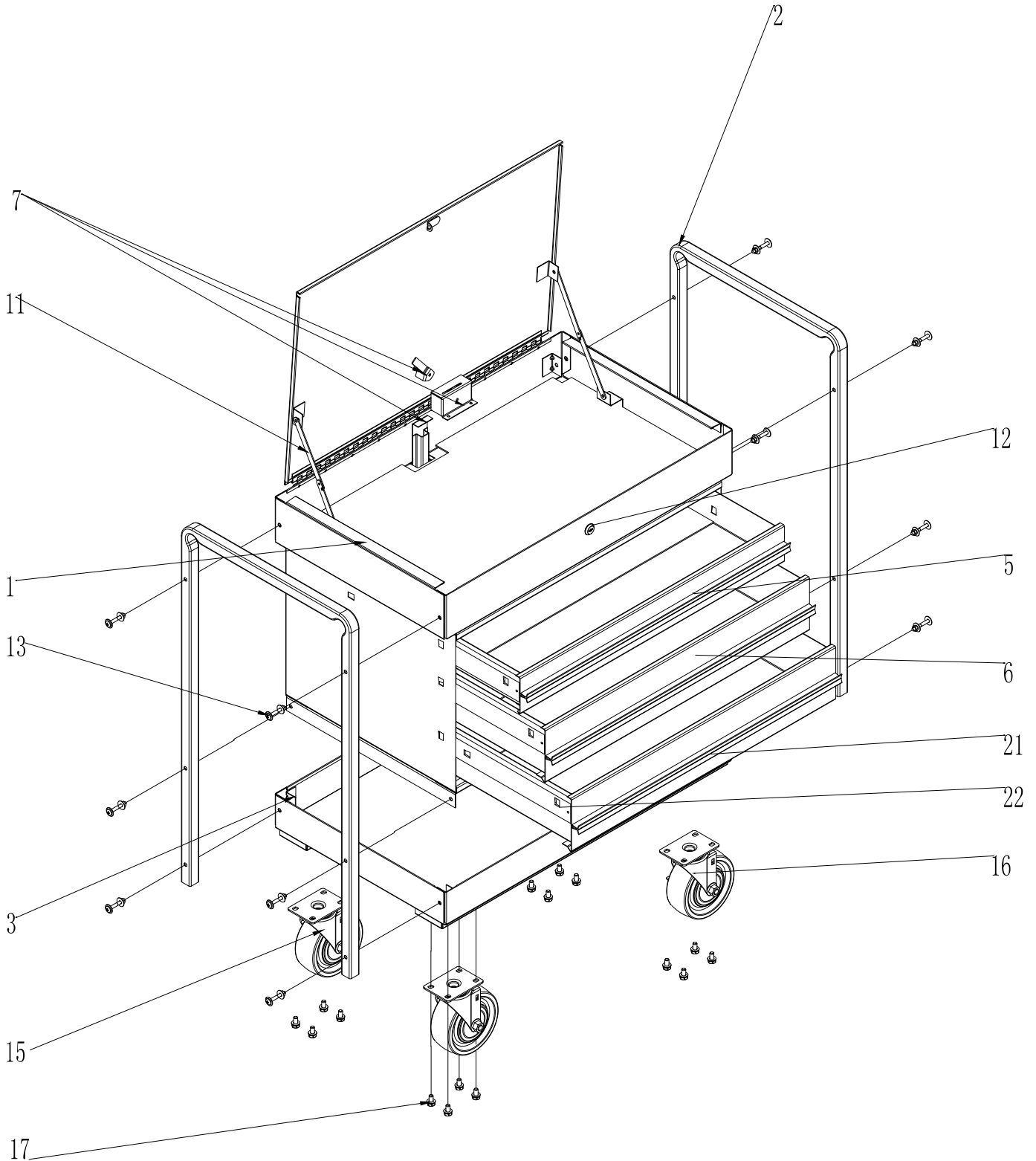
- Step 1** Place the Locking Top and Drawer Unit (#1) on its back. Carefully open the Locking Top and lay it back against the ground.
- Step 2** Slide chrome legs (#2) into square holes in corners of Locking Top (#1) until bolt holes are aligned at top of legs.
- Step 3** Insert two bolts with two flat washers into the aligned holes in handle, locking top, and legs. Fasten nuts using flat washers and lock washers. Repeat this procedure for other corners using bolts (All hardware included in #13).
- Step 4** Slide bottom tray (#3) onto legs and fasten as in Step 3.
- Step 5** Mounting casters: Put the four casters in place. The two locking casters (Part #16) should be on one side of the cart and the two non locking casters (Part #15) should be on the other (Left or right side NOT front or Back). Using the 16 bolts and 32 washers, located in Caster Hardware Kit Part #17, completely tighten the casters to the bottom tray using a 13mm socket and 14mm combination wrench for the bolt head. (Note: Bolt head should be on the inside of the bottom shelf.)
- Step 6** Return cart to upright position.
- Step 7** Using the screws included with #21, install drawer handles by aligning pre-drilled holes in drawers with slots in handle. Tighten all screws securely.



⚠ WARNING



- Cart Load Limit 350LBS
- Top Compartment Load Limit 150LBS
- Drawer Load Limit (each) 50LBS
- Bottom Shelf Load Limit 150LBS
- Read and follow all instructions in User's Manual
- Do not load carts beyond rated capacity
- Lock lid and drawers before moving
- Apply brake on locking casters anytime cart is in place
- Units can tip or fall causing damage or personal injury
- Do not open more than one loaded drawer at a time
- Do not stand on or step in drawers
- Keep children away from unit
- Wear gloves when lifting edges
- This product may contain one or more chemicals known to the State of California to cause cancer and birth defects or other reproductive harm. *Wash hands thoroughly after handling.*
- Failure to heed these warnings may result in personal injury and/or property damage





MB133UC, -BK, -BL 3 DRAWER UTILITY CART

Item	Parts No	Parts Name	Qty
1		Locking Top Tray and Drawer Unit	1
2	RS13302	Leg	2
3	MBS133UC	Bottom Tray Red	1
	MBS133UCBK	Bottom Tray Black	1
	MBS133UCBL	Bottom Tray Blue	1
5	MBD133UC1	3" Drawer Red	1
	MBD133UC1BK	3" Drawer Black	1
	MBD133UC1BL	3" Drawer Blue	1
6	MBD133UC2	4-1/2" Drawer Red	2
	MBD133UC2BK	4-1/2" Drawer Black	2
	MBD133UC2BL	4-1/2" Drawer Blue	2
7	RS13307	Lock Bar, Lever, Cover Red	1
	RS13307BK	Lock Bar, Lever, Cover Black	1
	RS13307BL	Lock Bar, Lever, Cover Blue	1
11	RS8002BR	Bracket Assembly	2
12	RS8008LK	D Lock With Keys	1
13	RS13313	M6 Bolt Kit (Bolt, Large Washer{2}, Spring Washer, Nut)	1 set
15	RS323UCNLC	5" x 1-1/2" Non-Locking Caster	2
16	RS323UCLC	5" x 1-1/2" Locking Caster	2
17	RS13317	M8 Bolt Kit For Casters (Bolt, Flat Washer, Spring Washer {16})	1 set
21	RS8006HDL	Chrome Drawer Handle with Hardware	3
22	RSRBSLIDEC2	Clip-on Roller Bearing Ball Slides	3 pair

Also Available:

RS8006HDLB Black Drawer Handle with Hardware
RSETUC5LK Drawer Liner Kit For Top Tray, Bottom Tray, and Drawer.