



1-877-764-7606

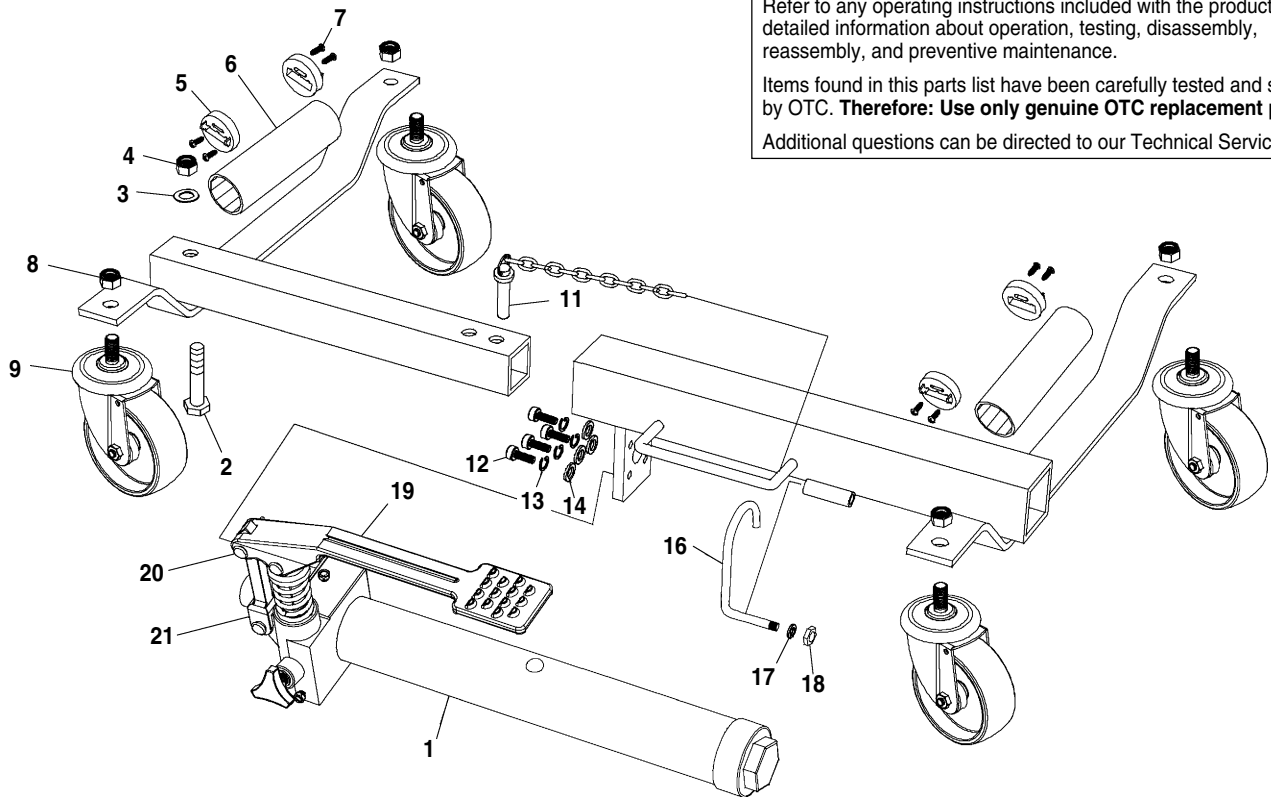
Form No. 533886

Parts List &
Operating Instructions
for:

WD1250

Car Dolly Car Positioning Unit

Max. Capacity: 1,500 lbs. (680 kg)



Refer to any operating instructions included with the product for detailed information about operation, testing, disassembly, reassembly, and preventive maintenance.

Items found in this parts list have been carefully tested and selected by OTC. **Therefore: Use only genuine OTC replacement parts.**

Additional questions can be directed to our Technical Service Dept.

Parts List

Item No.	Qty.	Description	Item No.	Qty.	Description
1	1	Ram Assembly	12	4	Screw (M6 x 20)
2	1	Bolt	13	4	Lockwasher
3	1	Flat Washer	14	4	Flat Washer
4	1	Locknut	16	1	Hook
5	4	Roller Raceway	17	1	Washer
6	2	Roller	18	1	Nut
7	8	Raceway Lock Screw	19	1	Foot Pedal
8	4	Locknut (M12)	20	3	Pin w/ hairpin
9	4	Swivel Caster (4 inch)	21	1	Connecting Rod
11	1	Lock Pin w/ chain			

Replacement Kits

Caster Kit No. 525090

Item No.	Qty.	Description
8	1	Lock Nut (M12)
9	1	Swivel Caster (4 inch)

Foot Pedal Kit No. 525097

Item No.	Qty.	Description
19	1	Foot Pedal
20	3	Pedal Pin
21	1	Connecting Rod

Hardware Kit No. 525093

Item No.	Qty.	Description
2	1	Bolt
3	1	Flat Washer
4	1	Locknut
5	4	Roller Raceway
6	2	Roller
7	8	Raceway Lock
8	4	Locknut (M12)
11	1	Lock Pin w/ chain
12	4	Screw (M6 x 20)
13	4	Lockwasher
14	4	Flat Washer
16	1	Hook
17	1	Washer
18	1	Nut

Pump Assembly Kit No. 533887

Item No.	Qty.	Description
1	1	Ram Assembly
12	4	Screw (M6 x 20)
13	4	Lockwasher
14	4	Flat Washer

Safety Precautions



WARNING: To prevent personal injury and/or damage to equipment,



- Read, understand, and follow all instructions and safety precautions.

- Wear eye protection that meets ANSI Z87.1 and OSHA standards.

- Never exceed the rated lifting capacity of the jack.

- Use the jack on a smooth, level surface. Do NOT operate the jack on inclines.

- Do NOT use the jack with tires that are wider than 9 inches.



- Do NOT start the vehicle's engine or drive the vehicle with the jack in use. The jack is designed only for manual maneuvering of a vehicle.

- The higher a vehicle is lifted, the more unstable it becomes; therefore, use the lowest possible lock pin position.

Operating Instructions

1. Hold the foot pedal, and carefully remove the foot pedal hook. (The foot pedal is spring loaded and will fly up when the hook is released.)
2. Remove the lock pin from the frame.
3. Open the release valve by turning the release knob counterclockwise (CCW).
4. Expand the jack by pulling the rollers apart. The jack should be wide enough to easily straddle the tire.
5. Position the jack so both rollers contact the tire tread. Verify there is at least 3/4" clearance between the tire and the axle of the jack, so the tire will put pressure on the rollers, not the jack frame, when raised.
6. Close the release valve by turning the release knob clockwise (CW) to a snug-tight position.
7. Operate the foot pedal to lift the tire.
8. When the lift is complete, place the lock pin in the hole nearest the extension rod.
9. To lower the jack, remove the lock pin and SLOWLY open the release valve counterclockwise (CCW).

Air Bleed Instructions

Air may become trapped in the hydraulic system during shipment or storage. Air in the hydraulic system may cause the foot pedal action to feel "spongy" or make the jack be unable to lift a load. To bleed air from the system:

1. Open the release valve by turning the release knob counterclockwise (CCW).
2. Pull the rollers apart to the fully open position.
3. Pump the foot pedal at least five full strokes.