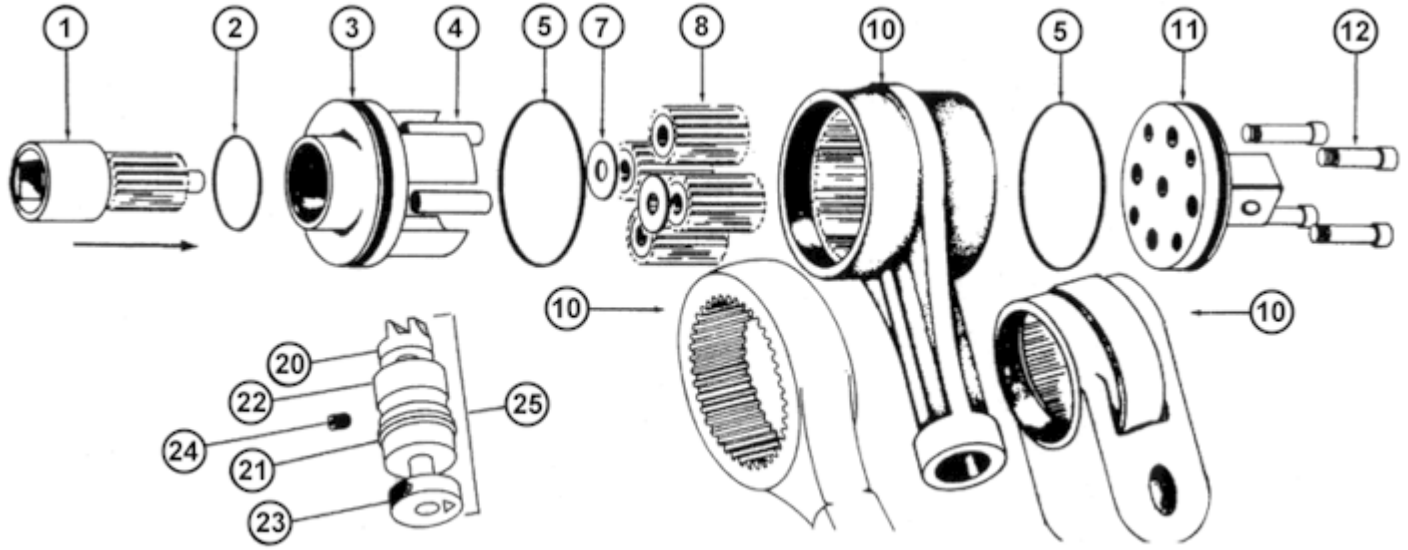


**X-4 TORQUE MULTIPLIER PARTS DIAGRAM  
(FOR ALL MODELS EXCEPT TD-1200)**



**Model TD-1000-R Only**

**X-4 TORQUE MULTIPLIER PARTS LISTS  
(FOR ALL MODELS EXCEPT TD-1200)**

Drawing Item	Part Description	Part No. LW750	Part No. TD1000	Part No. TD1000R	Part No. TD1500	Part No. TD2000	Part No. TD2500
1	Input Pinion	-02	-02	-02	-02	-02	-02
2	Input "O" Ring		-10	-10	-10	-10	-10
3	Input Carrier	-04	-04	-04	-04	-04	-04
4	Dowel Pins	(4) -08	(4) -08	(4) -08	(4) -08	(4) -08	(4) -08
5	Housing "O" Ring		(2) -09	(2) -09	(2) -09	(2) -09	(2) -09
7	Input Retainer	(1) -07	(2) -07	(2) -07	(2) -07	(4) -07	(2) -07
8	Planet Pinion	(4) -03	(4) -03	(4) -03	(4) -03	(4) -03	(4) -03
9	Spacer*		(2) -26	(2) -26			
10	Housing	-01	-01	-01	-01	-01	-01
11	Output Stub	-05	-05	-05	-05	-05	-05
12	Special Screw	(4) -06	(4) -06	(4) -06	(4) -06	(4) -06	(4) -06
20	Pawl			-20			
21	Spring, Pawl*			-21			
22	Sleeve, Pawl			-22			
23	Knob, Ratchet			-23			
24	Screw, Retainer			-24			
25	Assy, Ratchet			-25			
26	Reaction Bar* (Handle)	-16	-16	-16	-16	-16	-16
27	Lube Pack*	-17	-17	-17	-17	-17	-17

\* Not Shown in Parts Diagram