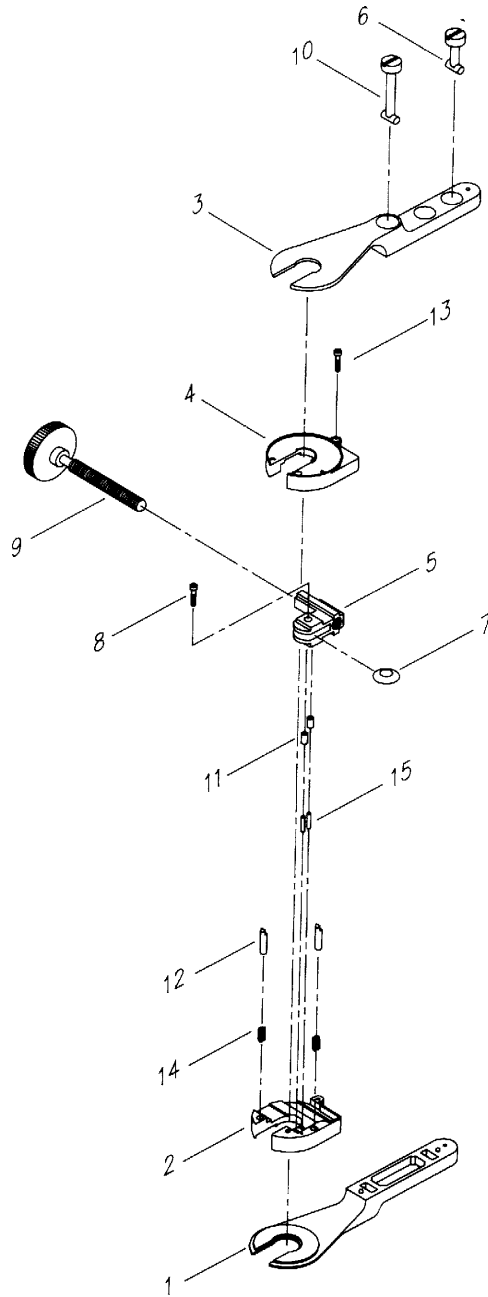




TC375



TC375 SMALL RATCHET STYLE TUBE CUTTER

INDEX	PART NO.	DESCRIPTION	QTY.
1	TC375-1	TOP HANDLE SMOOTH	1
2	TC375-2	YOKE-MALE HALF	1
3	TC375-3	BOTTOM HANDLE-RATCHETING	1
4	TC375-4	YOKE-FEMALE HALF	1
5	TC375-5	CUTTER WHEEL HOLDING ASSEMBLY	1
6	TC375-6	SHORT HANDLE PEG	1
7	TC375-7	CUTTER-WHEEL ONLY	1
8	TC375-8	CUTTER-WHEEL SCREW	1
9	TC375-9	ADJUSTING SCREW	1
10	TC375-10	LONG HANDLE PEG	1
11	TC375-11	ROLLER	2
12	TC375-12	PAWL	2
13	TC375-13	YOKE SCREW	1
14	TC375-14	SPRING	2
15	TC375-15	ROLLER SHAFT	3