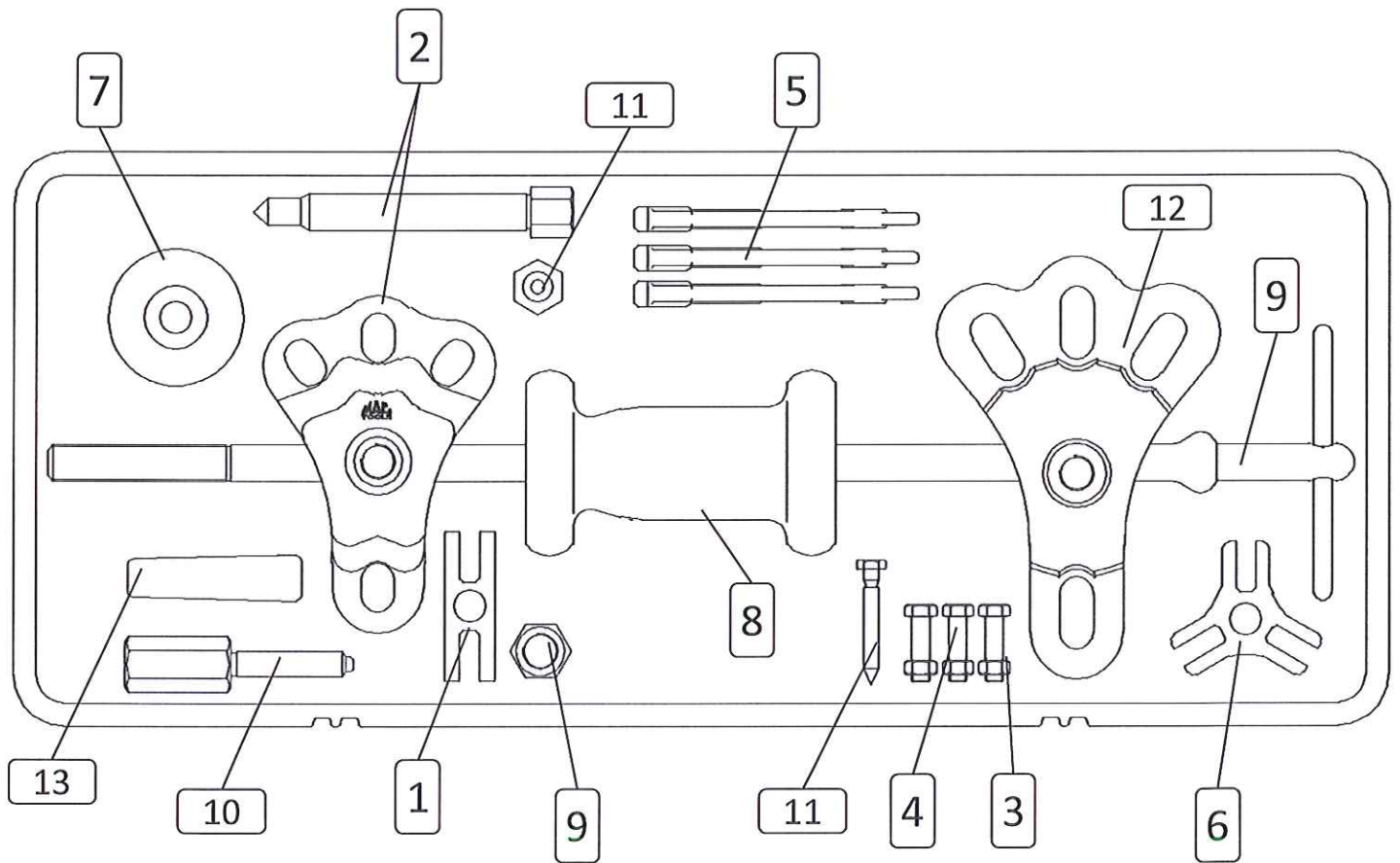


PS999A

9 WAY SLIDE HAMMER SET



PS999A

9 WAY SLIDE HAMMER SET

INDEX	PART NO.	QTY.	DESCRIPTION
1.	PS999A-1	1	2-WAY CROSS BLOCK
2.	PS999A-2	1	FRONT HUB PULLER
3.	PS999A-3	3	HEX JAM NUT(5/16-24UNF)
4.	PS999A-4	3	CAP SCREW(5/16-24UNF X 1-1/8" LONG)
5.	PS999A-5	3	PULLER JAW(MAX. REACH 1-7/8")
6.	PS999A-6	1	3-WAY CROSS BLOCK
7.	PS999A-7	1	CONE
8.	PS999A-8	1	5 LBS. HAMMER
9.	PS999A-9	1	SHANK AND T-BAR ASSEMBLY
10.	PS999A-10	1	GRIP WRENCH ADAPTER(WRENCH NOT INCLUDED)
11.	PS999A-11	1	DENT PULLER
12.	PS999A-12	1	REAR AXLE PULLER
13.	PS999A-13	1	PULLER HOOK ATTACHMENT