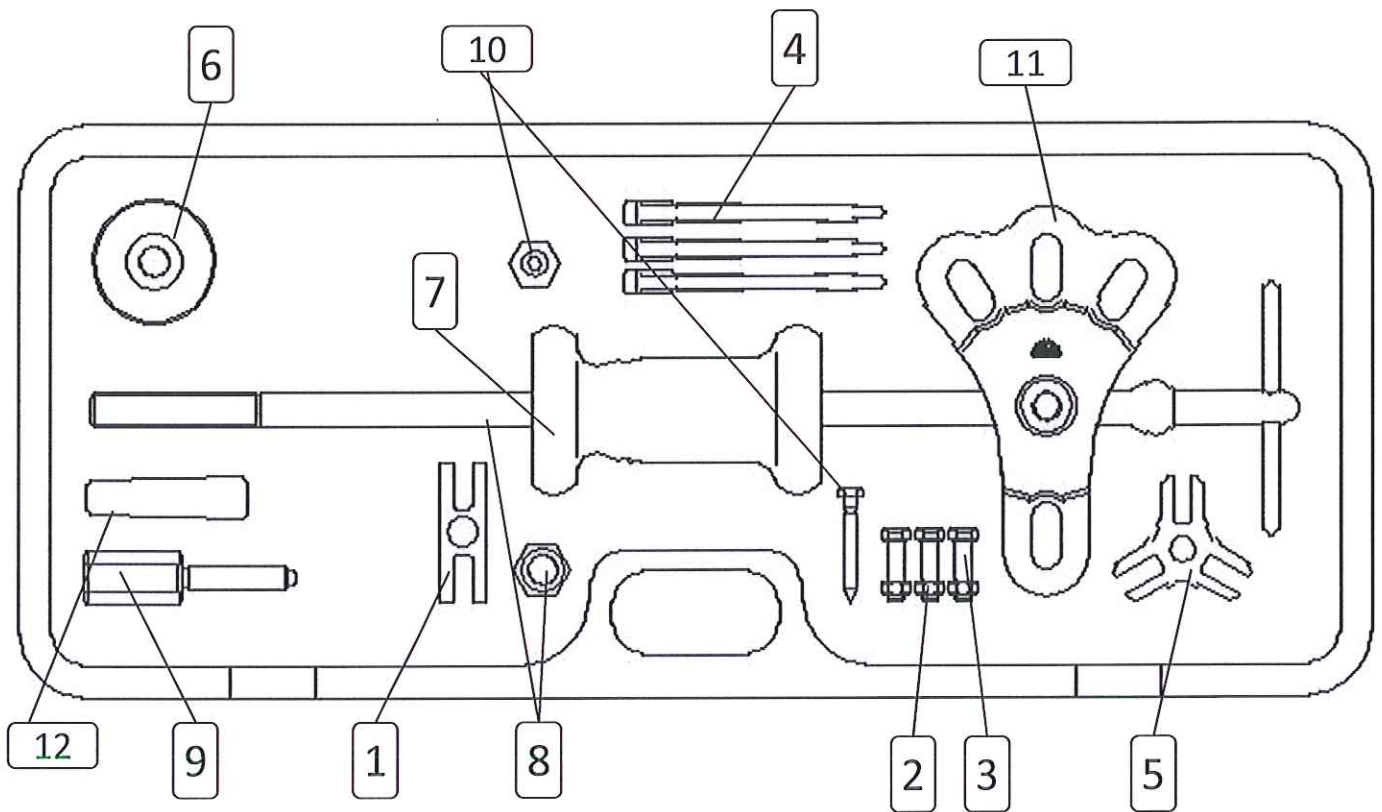


PS959A

8WAY SLAMMER HAMMER PULLSET



PS959A

8WAY SLAMMER HAMMER PULLSET

INDEX	PART NO.	QTY.	DESCRIPTION
1.	PS959A -1	1	2-WAY CROSS BLOCK
2.	PS959A -2	3	HEX JAM NUT(5/16-24UNF)
3.	PS959A -3	3	CAP SCREW (5/16-24UNF X 1-1/8" LONG)
4.	PS959A -4	3	PULLER JAW (MAX. REACH 1-7/8")
5.	PS959A -5	1	3-WAY CROSS BLOCK
6.	PS959A -6	1	CONE
7.	PS959A -7	1	5LB HAMMER
8.	PS959A -8	1	SHANK & T-BAR
9.	PS959A -9	1	GRIP WRENCH ADAPTER (WRENCH NOT INCLUDED)
10.	PS959A -10	1	DENY PULLER
11.	PS959A -11	1	REAR AXLE PULLER
12.	PS959A -12	1	PULLER HOOK ATTACHMENT