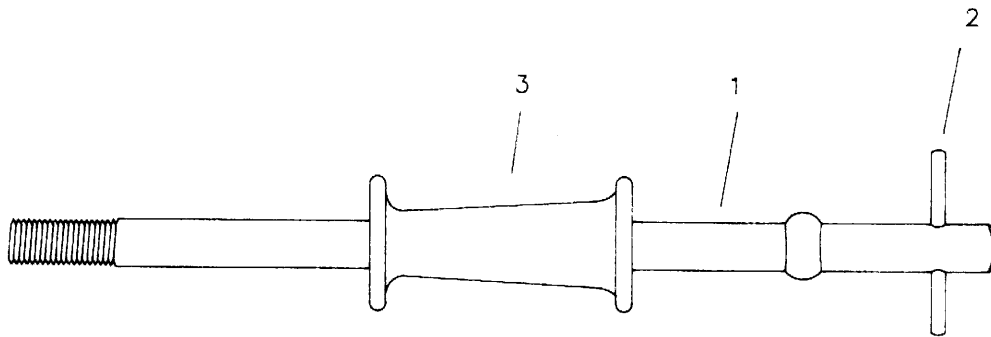
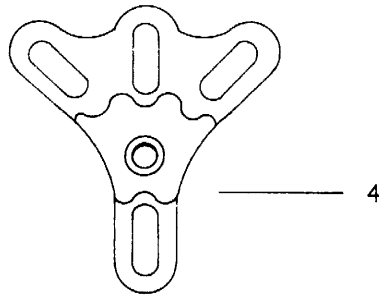




PP967C



**PP967C SLIDE HAMMER REAR AXLE PULLER**

INDEX	PART NO.	DESCRIPTION	QTY.
1	PS943-1	SHANK	1
2	PS943-2	TEE BAR	1
3	PS943R-1	5 LB. HAMMER ONLY	1
4	PP967	LARGE SIZE REAR AXLE PULLING PLATE	1