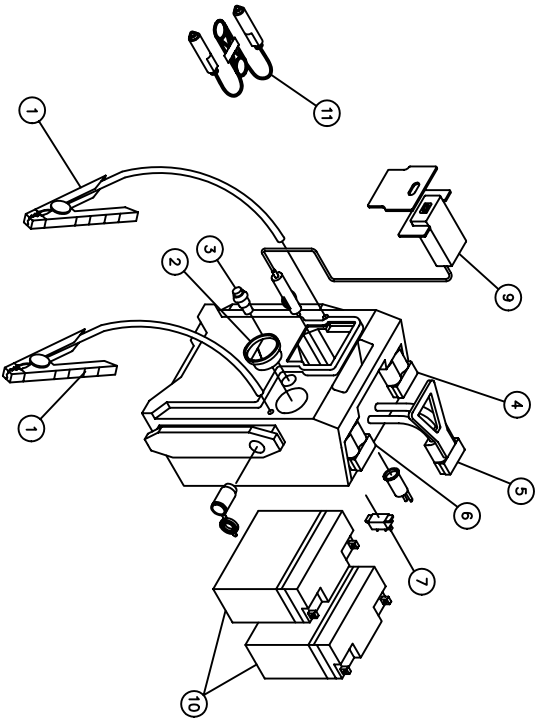
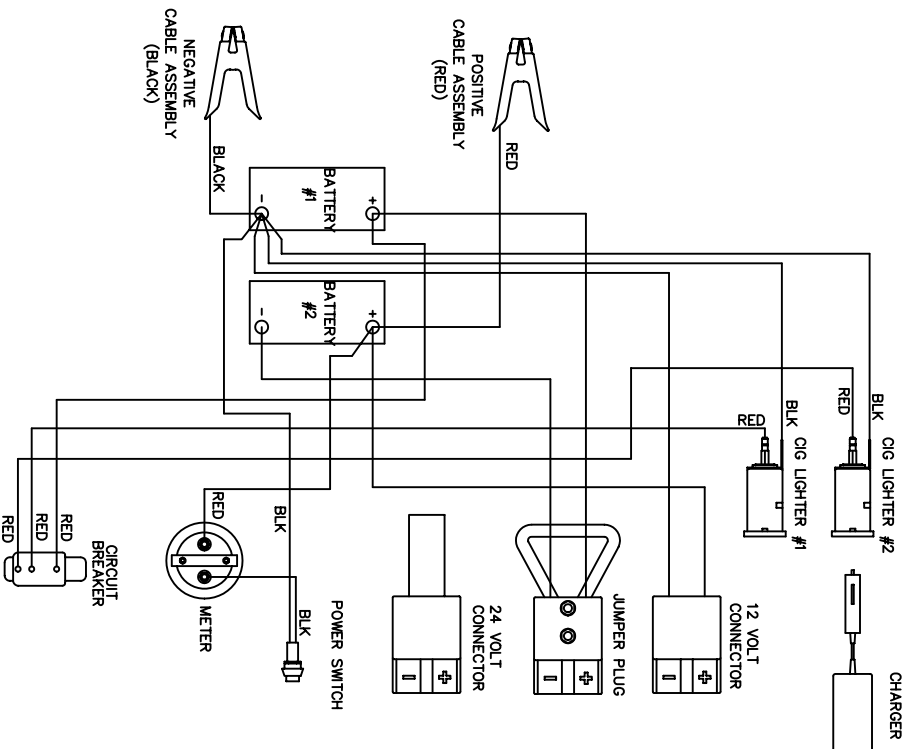


REPLACEMENT PARTS LIST
 MT5150
 146-047-001



ITEM	PART NUMBER	DESCRIPTION
1	238-687-666	NEG CABLE W/ CLAMP
2	247-153-686	POS CABLE W/ CLAMP
3	246-481-666	12V STATUS SWITCH
4	865-899-006	24 VOLT CABLE ASSY
5	865-899-006	COMMON CABLE W/HANDLE
6	865-897-006	12 VOLT CABLE ASSY
7	246-478-666	12 AMP CIRCUIT BREAKER
8	865-921-666	CHARGE CONTROL BOARD (NOT SHOWN)

ACCESSORIES	DESCRIPTION
9	TD1000 1AMP AUTO CHGR W/CORD
10	JNC241 POWER CORD ONLY
11	ES1240 20 AMP BATTERY (2 PACK)
	ES41 12V EXTENSION CORD



WIRING DIAGRAM

SERVICING SHOULD BE PERFORMED BY QUALIFIED SERVICE PERSONNEL

FORM NO. 642-379-001