



A division of SPX Corporation
 655 Eisenhower Drive
 Owatonna, MN 55060-0995 USA
 Phone: (507) 455-7000
 Tech. Serv.: (800) 533-6127
 Fax: (800) 955-8329
 Order Entry: (507) 455-1480
 Fax: (800) 283-8665
 International Sales: (507) 455-7223
 Fax: (507) 455-7746

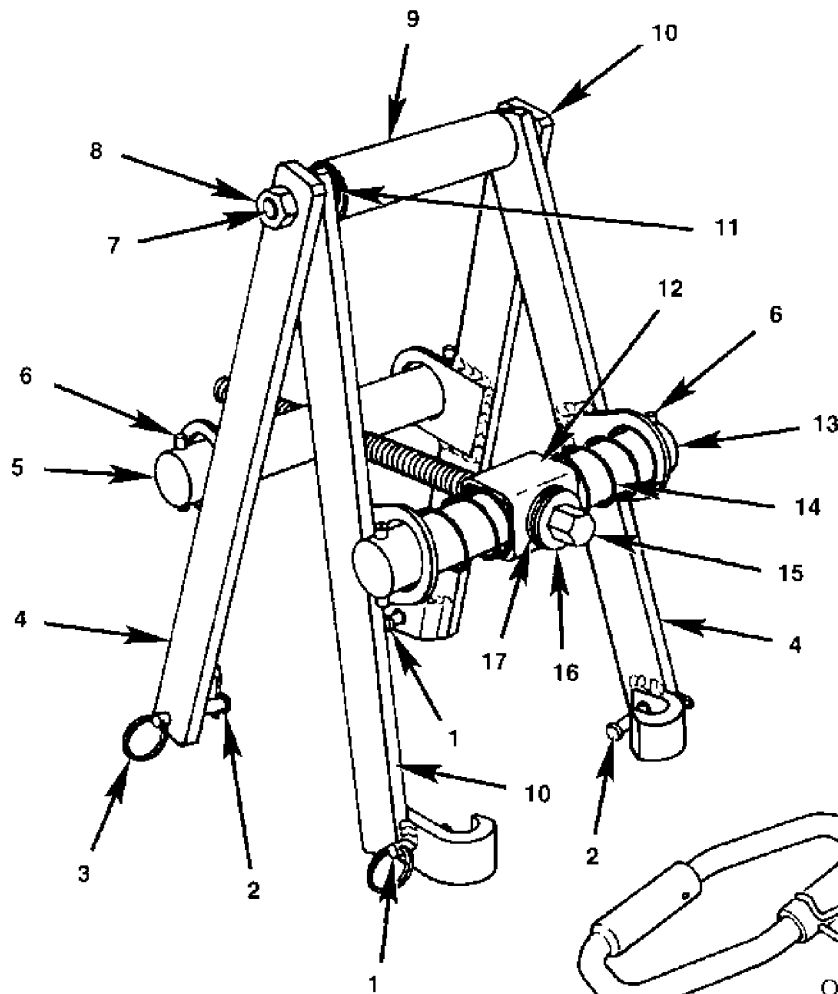
Form No. 105568

Parts List &
 Operating Instructions
 for:

7560

Clamshell Strut Tool

(for use on MacPherson Struts only)



Important: Do not use this tool without the thrust bearing washers (Items 16 and 17) in place, because the forcing screw (Item 15) could wear down the square spacer (Item 12).

Optional Strut Ring
 (see Sheet 2 of 2, Back)

Shaded area reflects the last revision made to this form.

Sheet No. 1 of 2

Issue Date: Rev. 12-24-96

Item No.	Part No.	No. Req'd	Description
1	217184	2	Clevis Pin (1-3/8" Lg.)
2	217183	2	Clevis Pin (1-3/4" Lg.)
3	213876	4	Split Ring
4	48249	2	Short Hook Frame
5	310334	1	Threaded Trunnion
6	11955	4	Slotted Spring Pin (1/4 x 1-3/4" Lg.)
7	217610	1	Hex Hd. Screw (1/2-13 x 7-1/2" Lg.)
8	15013	1	Locknut (1/2-13)
9	217180	1	Round Spacer
10	48248	2	Long Hook Frame
11	217182	1	Compression Spring
12	217179	1	Square Spacer
13	310335	1	Plain Trunnion
14	217181	2	Compression Spring
15	310336	1	Forcing Screw
16	215842	1	Thrust Bearing Washer
17	206747	1	Thrust Bearing Washer

PARTS INCLUDED BUT NOT SHOWN

217185	1	Logo Decal
217186	1	Warning Decal
105674	1	Alignment & Suspension Guide

OPTIONAL

7532	1	Strut Ring
------	---	------------

Refer to any operating instructions included with the product for detailed information about operation, testing, disassembly, reassembly, and preventive maintenance.

Items found in this parts list have been carefully tested and selected by OTC. **Therefore: Use only OTC replacement parts!**

Additional questions can be directed to the OTC Technical Services Department.