

**Replacement Parts for Model JSA350MA**

<u>Ref No.</u>	<u>Description</u>	<u>Parts No.</u>	<u>Quantity</u>
1	Power Unit	G59305-0008	1
2	Front Wheel Assembly	G59510-0002	2
3	Rear Caster Assembly	G48900-0006	2
4	Saddle	G80800-0002	1
5	Oil Filler Plug	F36100-0001	1
6	Release Valve Assembly	G48900-0004	1
7	Handle Assembly	G59510-0003	1
8	Handle Grip	G933-00001-000	1
9	Bolt, M10x16	G48900-0024	1
10	Return Spring -Handle Sleeve	G48900-0001	1
11	Return Spring -Lift Arm	G62000-1003	1
12	Handle Sleeve Gear	G48900-0016	1
13	Release Valve Connecting Bar	G48900-0017	1
14	Handle Sleeve	G58900-0002	1
15	Tray	G58900-0003	1
16	Handle Bolt, Left	G48900-0018	1
17	Handle Bolt, Right	G48900-0020	1
18	Bolt, M12	G48900-0019	2
-	Repair Kits (5 & A-O)	G59510-0000	-
-	Label(s) (not shown)	JSA350MA-L0	-
-	Manual (not shown)	JSA250MA-M0	-

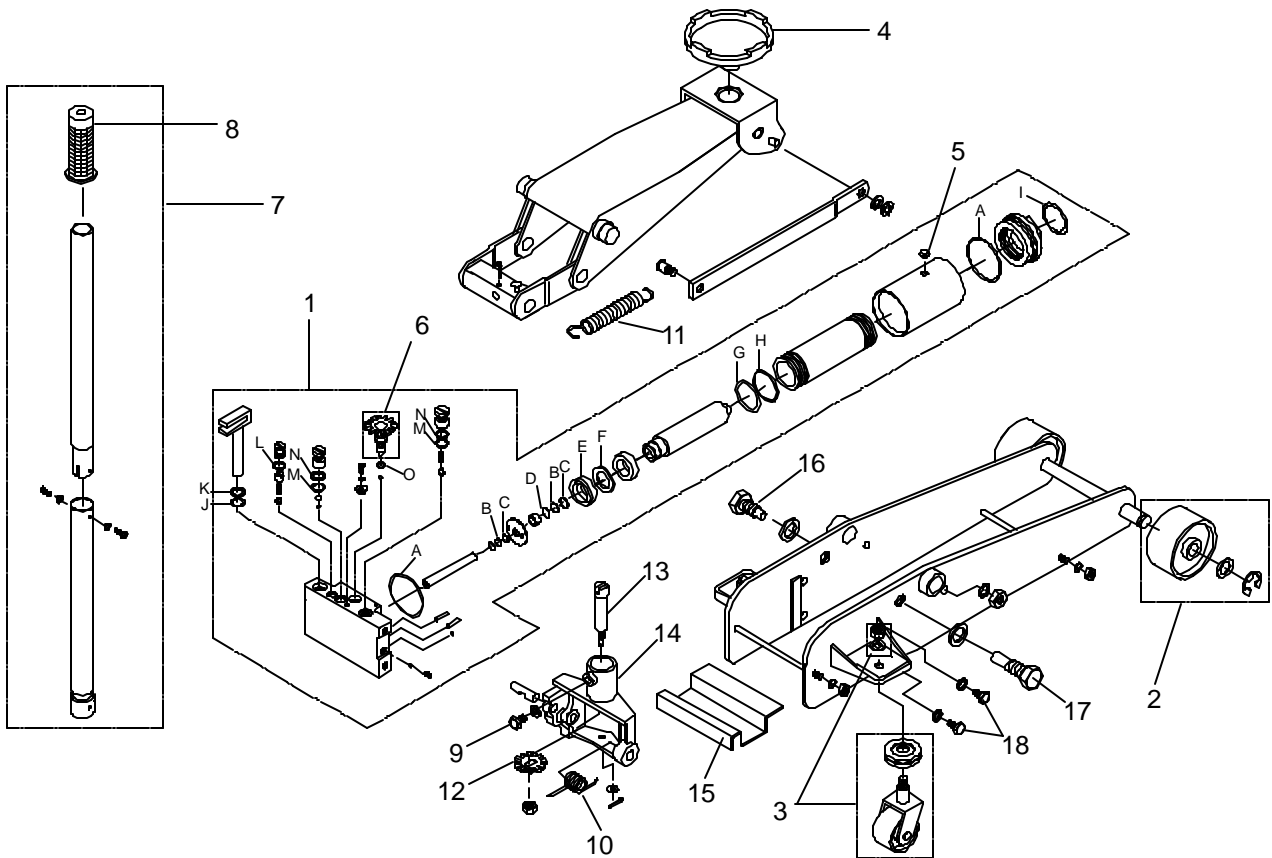


Figure 5 - Replacement Parts Illustration for Model JSA350MA