

REPLACEMENT PARTS

Available Parts: Please refer to the Parts drawing when ordering parts. Not all components of the crane are replacement items, but are illustrated as a convenient reference of location and position in the assembly sequence. When ordering parts, give Model number, serial number and description below. Call or write for current pricing: Mac Tools Inc. 505 N. Cleveland Ave. Suite 200 Westerville, OH 43082 Tel: 1800-MAC-TOOL (622-8665)

Replacement Parts Illustration for JSA200LCX

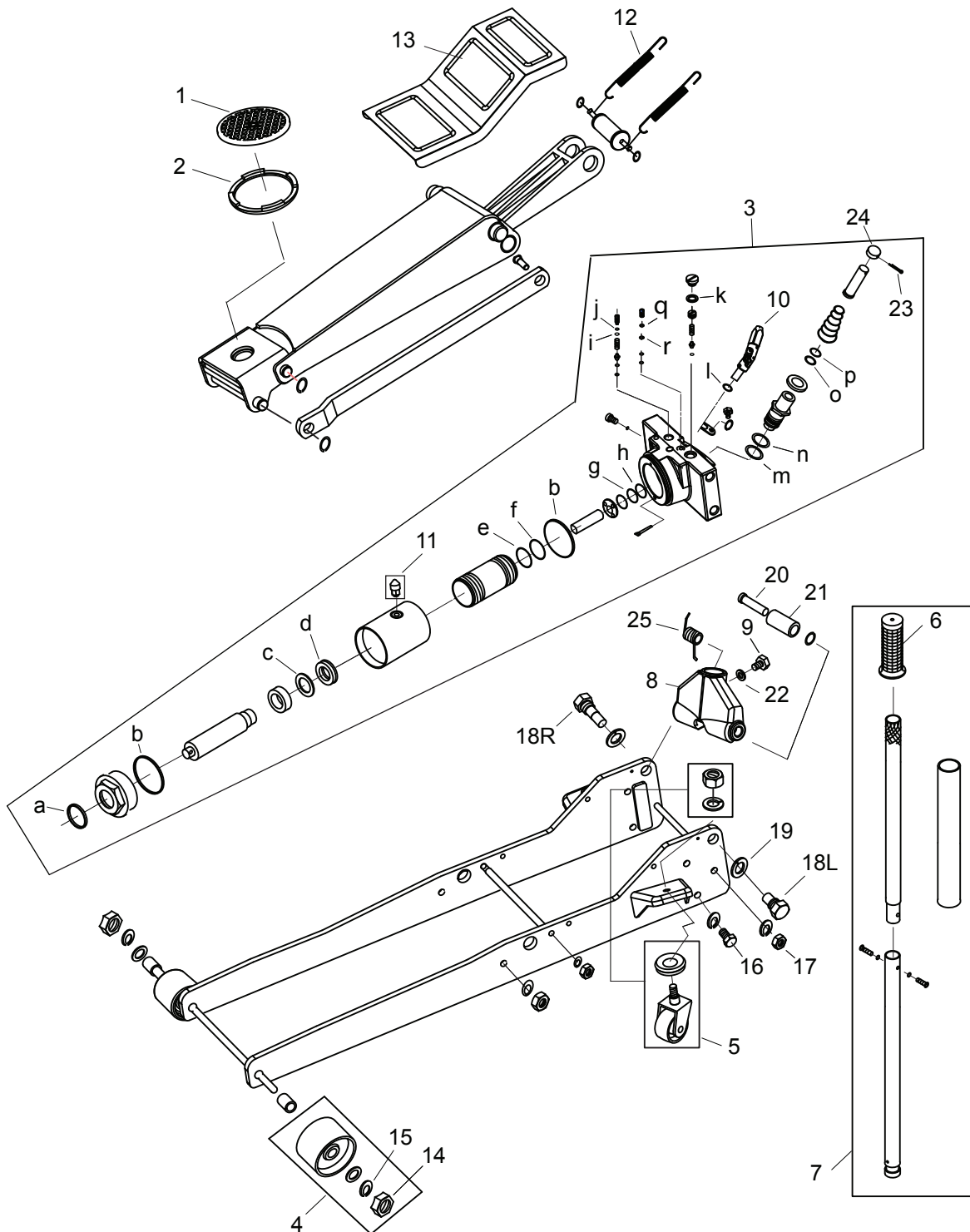


Figure 2 - Replacement Parts Illustration for JSA200LCX

Replacement Parts List for JSA200LCX

Item#	Part#	Description	Qty.
1	G86301-0001	Saddle Pad	1
2	G86301-0017	Saddle	1
3	G86308-0001	Hydraulic Unit	1
4	G86301-0004	Front Wheel Assembly	2
5	G86301-0003	Rear Caster Assembly	2
6	G86301-0008	Handle Grip	1
7	G86301-0019	Handle Assembly	1
8	G86308-0003	Handle Sleeve	1
9	G48900-0024	Bolt, M10x16	1
10	G86308-0004	U-joint	1
11	G86301-0014	Vent Screw	1
12	G86301-0012	Return Spring, Lift Arm	2
13	G86308-0005	Cover	1
14	G86301-0023	Nut, M16	2
15	G86301-0024	Spring Washer, D16	2
16	G88009-0016	Bolt, M12	1
17	G86301-0032	Nut, M12	4
18R	G59509-0016	Bolt, Handle Sleeve, RH side	1
18L	G59509-0015	Bolt, Handle Sleeve, LH side	1
19	G59305-0006	Spring Washer, D20	2
20	G73500-0011	Pin D12	1
21	G73500-0012	Roller	1
22	G59305-0005	Spring Washer, D10	1
23	G69400-0004	Spring Pin	1
24	G69400-0003	Cap, Pump Piston	1
25	G73500-0010	Return Spring, Handle	1
**	G86308-0000	Seal Kit (includes a thru r)	1
-	JSA200LCX-M1	Manual	-
-	JSA200LCX-L0	Label	-

****Repair Kit Contents:**

Item	Description	Qty	Item	Description	Qty
a	O-ring	1	j	Back-up Washer	1
b	O-ring	2	k	O-ring 13x2.4	1
c	Back-up Washer	1	l	O-ring 8x1.8	1
d	U-cup	1	m	O-ring	1
e	Back-up Washer	1	n	Back-up Washer	1
f	O-ring	1	o	O-ring 17x2.65	1
g	O-ring	2	p	Back-up Washer	1
h	Washer, Metal	2	q	Back-up Washer	1
i	Oil Seal	1	r	Oil Seal	1

(**) Replacement requires special skills, knowledge, and equipment. Only an authorized service center may perform the repair and/or replacement of these items. Contact Mac Tools technical service for list of service centers.