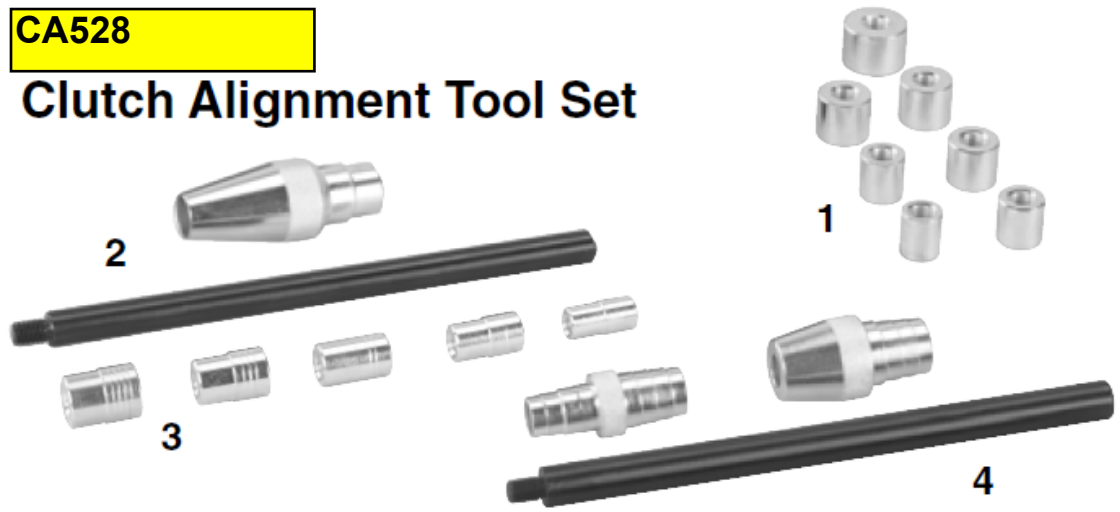


CA528

Clutch Alignment Tool Set



Item No.	Service Part No.	Description
1	4528-1	7 SAE Pilot Adapters
2	4528-2	SAE Alignment Shaft with Aligner
3	4528-3	5 Metric Pilot Adapters
4	4528-4	Metric Alignment Shaft with 2 Aligners