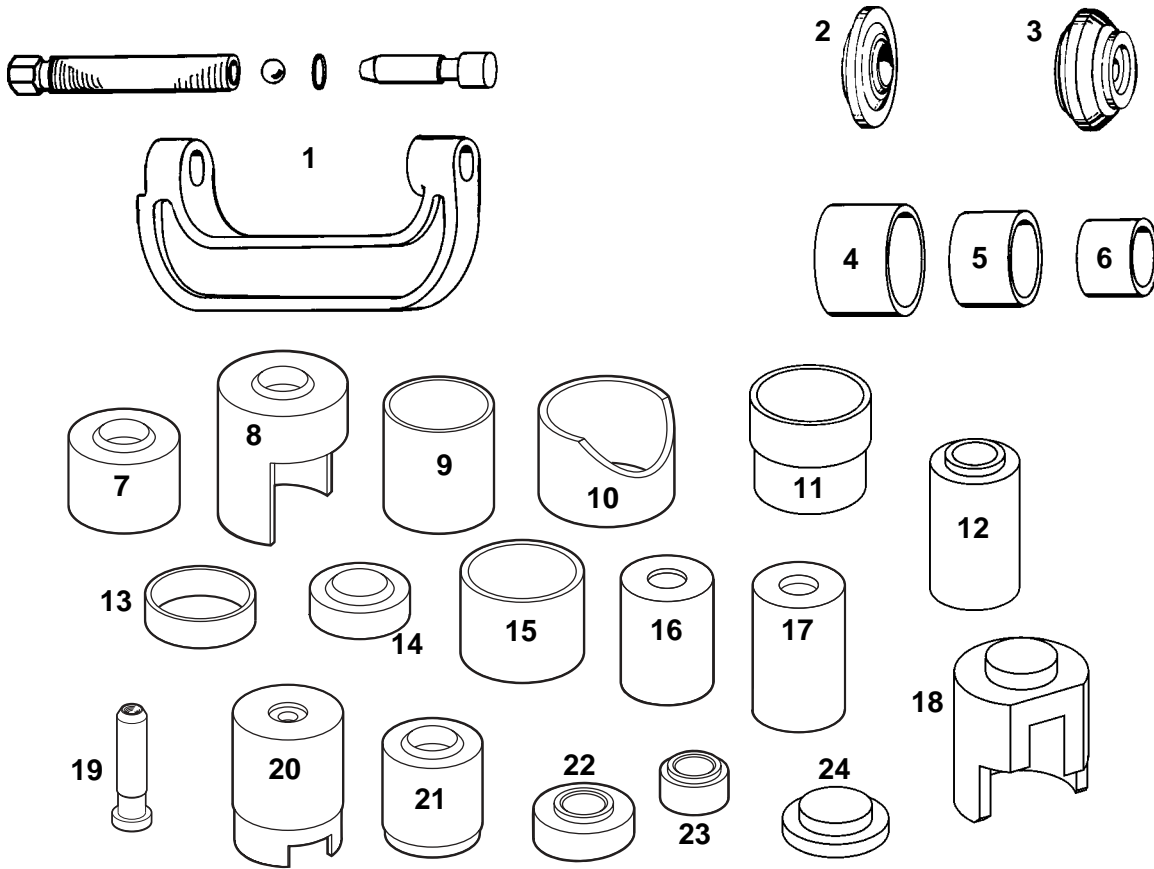


Parts List / Safety Precautions



Item No.	Part No.	No. Req'd	Description
1	7248	1	C-Frame Press (<i>consists of 1 ea.: 37703 forcing screw; 14472 steel ball; 10273 o-ring; 29501 plug; 41925 c-frame</i>)
2	305227	1	Installing Adapter
3	305228	1	Removing Adapter
4	29503	1	Receiving Tube
5	29504	1	Receiving Tube
6	29505	1	Receiving Tube
7	39976	1	Receiving Cup
8	313444	1	Ball Joint Remover
9	222305	1	Receiving Tube
10	222306	1	Receiving Tube
11	314425	1	Receiving Cup
12	314426	1	Removing Adapter

Item No.	Part No.	No. Req'd	Description
13	222304	1	Receiving Tube
14	204508	1	Receiving Cup
15	222307	1	Receiving Tube
16	313969	1	Installing Cup
17	38355	1	Installing Cup
18	314427	1	Receiving Cup
19	314392	1	Live Center Forcing Screw Plug
20	313967	1	Remover Cup
21	38354	1	Receiving Cup
22	313970	1	Installer
23	313968	1	Remover
24	314428	1	Installing Adapter
	514480	1	Storage Case (<i>not shown</i>)

Safety Precautions



CAUTION : To prevent personal injury when using these tools,

- Wear eye protection that meets ANSI Z87.1 and OSHA standards.
- Before performing repairs on a vehicle, block the vehicle wheels to prevent movement of the vehicle.
- Check the final alignment of tooling and components before using the C-frame to exert pressure.

