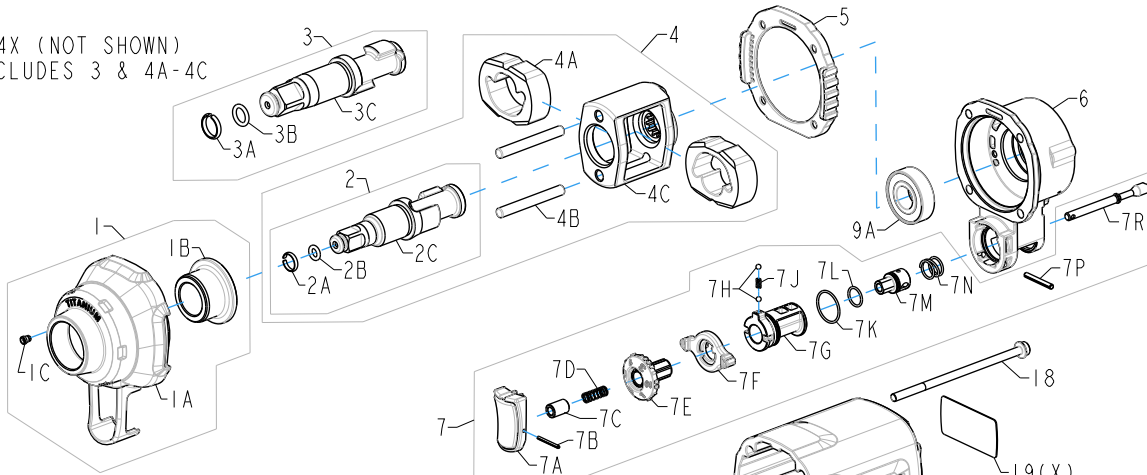
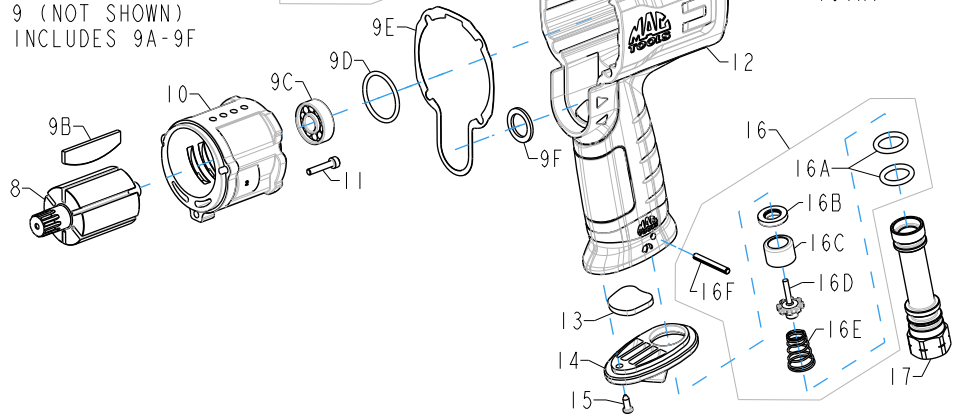


4X (NOT SHOWN)  
INCLUDES 3 & 4A-4C



9 (NOT SHOWN)  
INCLUDES 9A-9F



**AWP050C Compact 1/2" Impact**  
**AWP038 3/8" Impact**  
**SERVICE PARTS LIST**

Item #	Part Number	Description	Qty
1	30H100011	HAMMER CASE ASSEMBLY (1A-1C)	1
1A		HAMMER CASE	
1B		BUSHING	
1C		GREASE FITTING	
<b>AWP038 ANVIL PARTS ONLY</b>			
2	30D100020	3/8" ANVIL ASSEMBLY (INCLUDES 2A & 2B)	1
2A	30R200028	SOCKET RETAINER	1
2B	30R200027	O-RING	1
<b>AWP050C ANVIL PARTS ONLY</b>			
3	30D100021	1/2" ANVIL ASSEMBLY (INCLUDES 2A & 2B)	1
3A	231-425A	SOCKET RETAINER	1
3B	R1A-159	O-RING	1
4A	30D200022	HAMMER	2
4B	30D200023	HAMMER PINS	2
4C	30D200021	HAMMER FRAME	1
5	30G200101	HAMMER CASE GASKET	1
6	30M100012	FRONT BEARING PLATE	1
7	30P100009	THROTTLE ASSEMBLY (7A-7R)	1
7A		TRIGGER	1
7B		ROLL PIN - TRIGGER	1
7C		BUSHING TRIGGER TIP	1
7D		SPRING TRIGGER TIP	1
7E		REGULATOR KNOB	1
7F		REVERSE LEVER	1
7G		REVERSE VALVE	1
7H		BALL DETENT	2
7J		SPRING	1
7K		O-RING VALVE	1
7L		O-RING REGULATOR	1
7M		REGULATOR VALVE	1
7N		SPRING - REGULATOR	1
7P		ROLL PIN	1
7R		TRIGGER PIN - TIP VALVE	1
8	30M200009	ROTOR	1
9	30M100110	MOTOR TUNE UP KIT (9A-9F)	1
9A	30R200026	BEARING - FRONT	1
9B	30M200011	VANES	6
9C	30R200025	BEARING - REAR	1
9D	30R200030	O-RING	1
9E	30G200107	GASKET	1
9F	30G200114	GASKET	1
10	30M200014	CYLINDER	1
11	30R200031	HEX BOLT	3
12	30H100009	MOTOR HOUSING	1
13	30Y200379	MUFFLER	1
14	30Y200840	EXHAUST DEFLECTOR	1
15	30R200008	TAP SCREW	1
16	30P100020	INLET PARTS KIT (16A - 16F)	1
16A		O-RING	2
16B		SEAL TIP VALVE	1
16C		BUSHING TIP VALVE	1
16D		TIP VALVE	1
16E		SPRING - TIP VALVE	1
16F		ROLL PIN	1
17	30Y200360	AIR INLET	1
18	30R200024	HEX BOLT	4