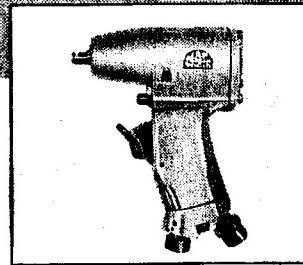
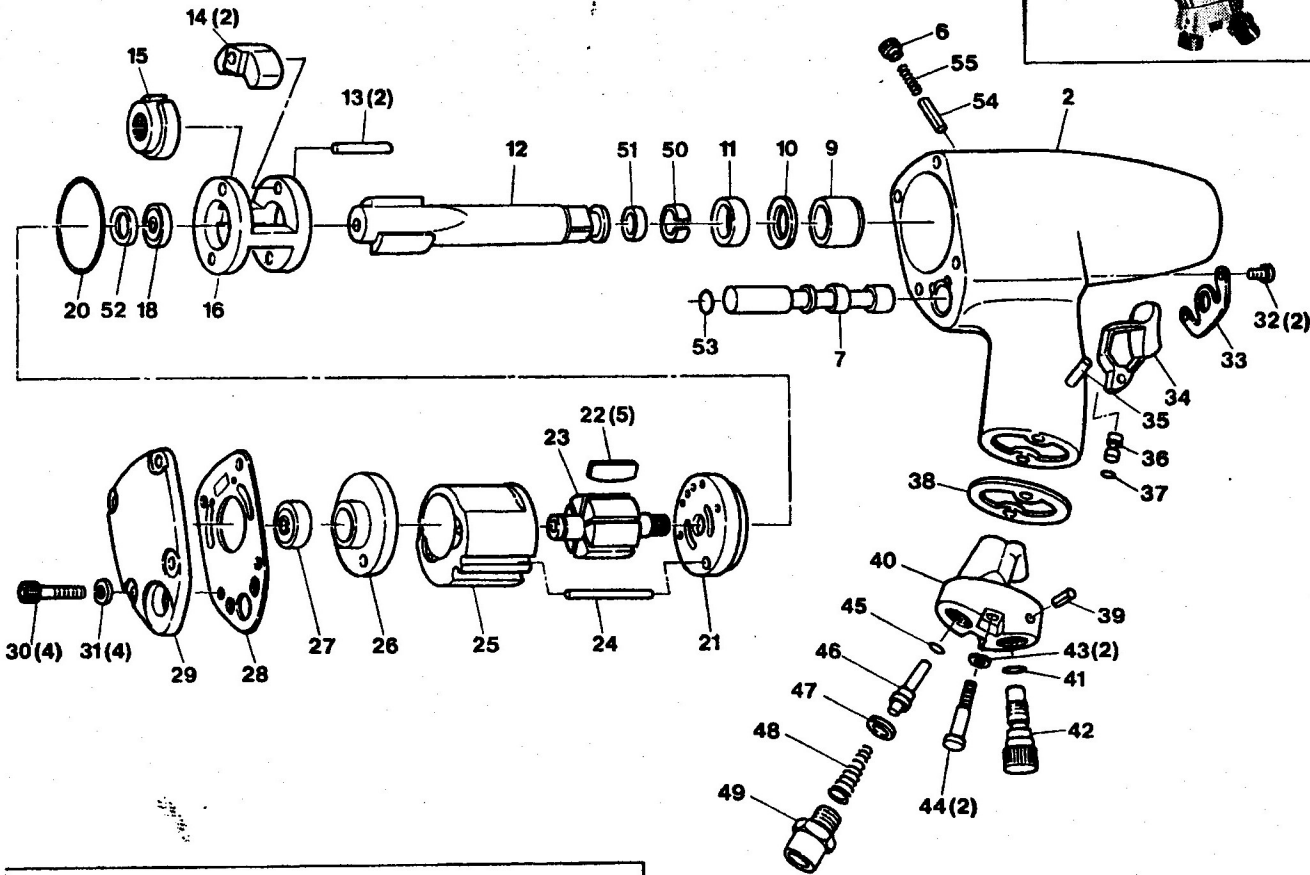


# AW850 1/4" SQ.DR. IMPACT WRENCH

**MAC AIR TOOLS**



## EXPLODED VIEW



**TUNE-UP KIT AW850-TK**  
 Incl: Index No's 20, 22(5), 28, 37, 41, 45, 50, 51

**REPAIR KIT AW850-RK**  
 Incl: Index No's 12, 13(2), 14(2), 15, 20, 22(5), 28, 37, 38, 41, 45, 50, 51

**"WARNING"**

1. Wear safety goggles when using this tool.
2. Use impact sockets in good condition. Never use hand sockets.
3. Operate before engaging bolts or nuts to assure direction of rotation is correct.
4. Disconnect tool when not in use.

INDEX	PART NO.	DESCRIPTION	QTY.
2	AW825H-02	Motor Housing	1
4	AW825H-04	Reverse Valve Stop Pin	1
5	AW825H-05	Reverse Valve Spring	1
6	AW135-07	Set Screw	1
7	AW825H-07	Reverse Valve	1
9	AW825H-12	Motor Housing Bushing	1
10	AW825H-13	Spacer	1
11	AW825H-14	Hammer Cage Bushing	1
12	AW850-01	Anvil	1
13	AW825H-17	Hammer Cage Pin	2
14	AW825H-18	Dog	2
15	AW825H-19	Hammer Cam	1
16	AW825H-20	Hammer Ball	1
18	AR133-18	Front Rotor Ball Bearing	1
20	AW825H-23	Front End Plate O-Ring	1
21	AW825H-24	Front End Plate	1
22	AW825H-25	Rotor Blade	5
23	AW825H-26	Rotor	1
24	AW825H-27	Motor Pin	1
25	AW825H-28	Cylinder	1
26	AW825H-29	Rear End Plate	1
27	AR133-11	Rear Rotor Ball Bearing	1
28	AW825H-31	Housing Cover Gasket	1
29	AW825H-32	Back Cap	1
30	AW136-55	Housing Screw	4
31	AW145-048	Housing Screw Lock Washer	4
32	AW145-136	Exhaust Diffuser Screw	2
33	AW825H-36	Exhaust Diffuser	1
34	AW145-014	Trigger	1
35	AW145-018	Trigger Pin	1
36	AW135-37	Push Pin	1
37	AW145-008	Push Pin O-Ring	1
38	AW145-272	Valve Block Gasket	1
39	AW145-124	Regulator Stop Pin	1
40	AW145-270	Valve Block	1
41	AW145-127	Regulator O-Ring	1
42	AW145-125	Regulator	1
43	AW145-046	Valve Block Screw Lock Washer	2
44	AW145-271	Valve Block Screw	2
45	AW145-007	Throttle Valve O-Ring	1
46	AW145-005	Throttle Valve	1
47	AW145-004	O-Ring Retainer	1
48	AW145-003	Throttle Valve Spring	1
49	AW145-001	Inlet Bushing	1
50	AW850-02	Socket Ret. Ring	1
51	AW850-03	Socket Ret. O-Ring	1
52	AW850-04	Oil Seal	1
53	AR760-03	O-Ring	1
54	AW825H-55	Reverse Valve Stop Pin	1
55	AW825H-56	Reverse Valve Spring	1

The types and specifications may be changed with or without notice.