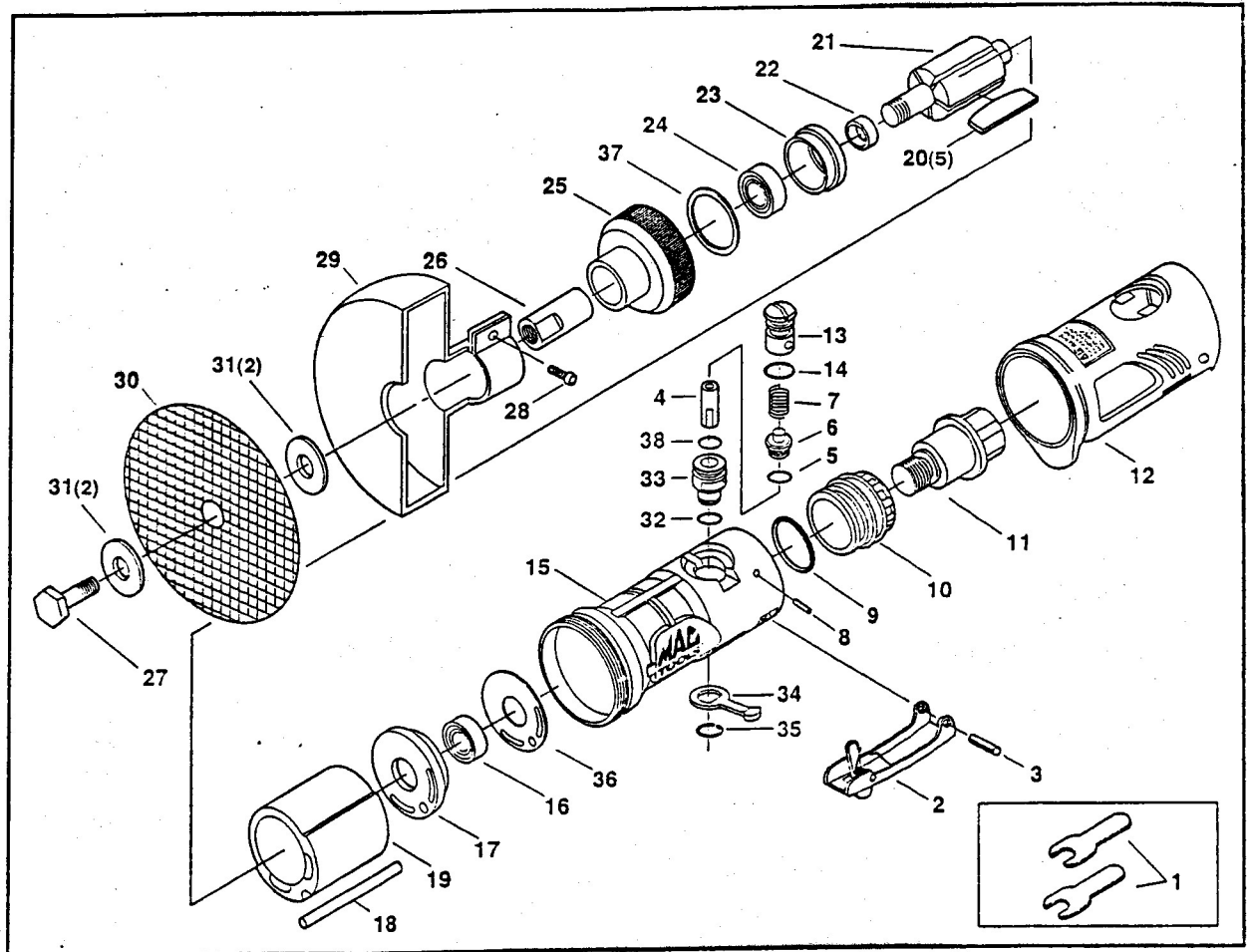


REVERSIBLE CUT-OFF TOOL

Model #ATR 35



PARTS LIST:

Fig.	Parts No.	Description
1	AT28-01	Spanner Wrench Set
2	AG50-29	Safety Lever
3	AW156TR-46	Spring Pin
4	AR133-10	Valve Shaft
5	AR133-09	O-Ring
6	AR133-08	Throttle Valve
7	AR133-07	Valve Spring
8	AD510AH-22	Spring Pin
9	AG70-09	O-Ring
10	AG70-10	Exhaust Sleeve
11	AG60-27	Inlet Bushing
12	ATR35-12	Housing Cover
13	ATR35-13	Air Regulator
14	AD527-32	O-Ring
15	ATR35-15	Motor Housing
16	ADG210-11	Ball Bearing
17	AD901-22	Rear End Plate
18	ATR35-18	Dowel Pin
19	AD901-24	Cylinder
20	AG70-20	Rotor Blade (5)
21	ATR35-21	Rotor
22	ADG210-17	Bearing Spacer
23	ATR35-23	Front End Plate
24	ADG210-20	Ball Bearing
25	AT28-25	Lock Ring
26	ATR35-26	Spindle
27	ATR35-27	Hex Bolt
28	AW136-52	Cap Screw
29	AMT206-19R	Wheel Cover
30		Cutting Wheel (See Catalog)
31	AMT206-20	Wheel Washer (2)
32	ATR35-32	O-Ring
33	ATR35-33	Reverse Valve
34	ATR35-34	Reverse Lever
35	ATR35-35	Retaining Ring
36	ATR35-36	Gasket
37	AG60-30	Spacer
38	AW157-21	O-Ring