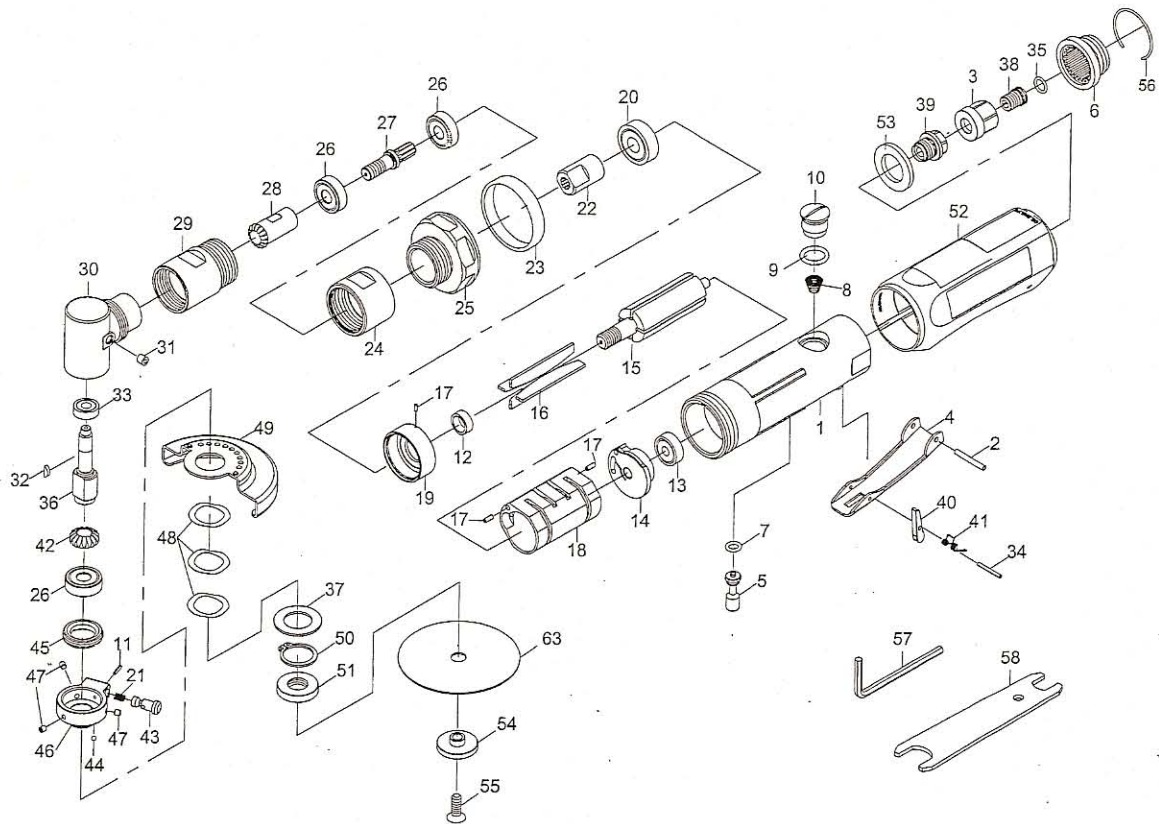


# PARTS BREAKDOWN FOR 3" CUT-OFF TOOL - MODEL ATQP30S



| Index No. | Parts No.   | Description             | Index No. | Parts No.   | Description            |
|-----------|-------------|-------------------------|-----------|-------------|------------------------|
| 1         | ATQP30S-01  | Motor Housing           | 33        | AGQP50M-13  | Ball Bearing (696zz)   |
| 2         | AD3800AH-02 | Spring Pin (3x24)       | 34        | AG200-38    | Spring Pin (2x18)      |
| 3         | AIQP30S-03  | Air Inlet               | 35        | AS20-52     | O-Ring (7.5x1.5)       |
| 4         | AGQP100-04  | Throttle Lever          | 36        | ATQP30S-36  | Spindle                |
| 5         | AGQP100-05  | Valve Shaft             | 37        | ATQP30S-37  | Washer                 |
| 6         | AD3800AH-48 | Exhaust Diffuser        | 38        | AGQP100-37  | Screw                  |
| 7         | AD54013     | O-Ring (4.8x1.9)        | 39        | ATQP30S-39  | Fixed Shaft            |
| 8         | AGQP100-08  | Valve Spring            | 40        | AGQP100-40  | Safety Bar             |
| 9         | AGQP100-09  | O-Ring (11.8x2.4)       | 41        | AGQP100-41  | Spring                 |
| 10        | AGQP100-10  | Plug                    | 42        | ATQP30S-42  | Bevel Gear             |
| 11        | ATQP30S-11  | Spring Pin (2x10)       | 43        | ATQP30S-43  | Stop Button            |
| 12        | ATQP30S-12  | Rotor Bushing           | 44        | ATQP30S-44  | Steel Ball (9/64")     |
| 13        | AD54006     | Ball Bearing (626zz)    | 45        | AGQP50AM-31 | Clamp Nut              |
| 14        | ATQP30S-14  | Rear End Plate          | 46        | ATQP30S-46  | Cover Seat             |
| 15        | ATQP30S-15  | Rotor                   | 47        | ATQP30S-47  | Set Screw(3) (M4x4)    |
| 16        | ATQP30S-16  | Rotor Blade (4)         | 48        | ATQP30S-48  | Wave Washer(3) (WW-20) |
| 17        | ATQP30S-17  | Spring Pin(3) (2.5x6)   | 49        | ATQP30S-49  | Disc Cover             |
| 18        | ATQP30S-18  | Cylinder                | 50        | ATQP30S-50  | Retainer Ring (STW-20) |
| 19        | ATQP30S-19  | Front End Plate         | 51        | ATQP30S-51  | Flange                 |
| 20        | ATQP30S-20  | Ball Bearing (6000zz)   | 52        | AGQP100-52  | Rubber Grip            |
| 21        | ATQP30S-21  | Spring                  | 53        | ATQP30S-53  | Muffler                |
| 22        | ATQP30S-22  | Connector Shaft         | 54        | ATQP30S-54  | Flange nut             |
| 23        | ATQP30S-23  | Decoration Ring         | 55        | ATQP30S-55  | Screw (M6x18L)         |
| 24        | ATQP30S-24  | Connector Nut           | 56        | ATQP30S-56  | Retainer Ring          |
| 25        | ATQP30S-25  | Clamp Nut               | 57        | AS20-59     | Hex-Key Wrench (4mm)   |
| 26        | AD3800AH-20 | Ball Bearing(3) (608zz) | 58        | AGQP50M-27  | Spanner (11mm,17mm)    |
| 27        | ATQP30S-27  | Roller Shaft            | 63        | ATQP30S-63  | Disc Wheel 3"          |
| 28        | ATQP30S-28  | Bevel Gear              |           |             |                        |
| 29        | ATQP30S-29  | Connector Pipe          |           |             |                        |
| 30        | ATQP30S-30  | Head                    |           |             |                        |
| 31        | AWQP120M-26 | Oil Cap                 |           |             |                        |
| 32        | AGQP50AM-36 | Key                     |           |             |                        |