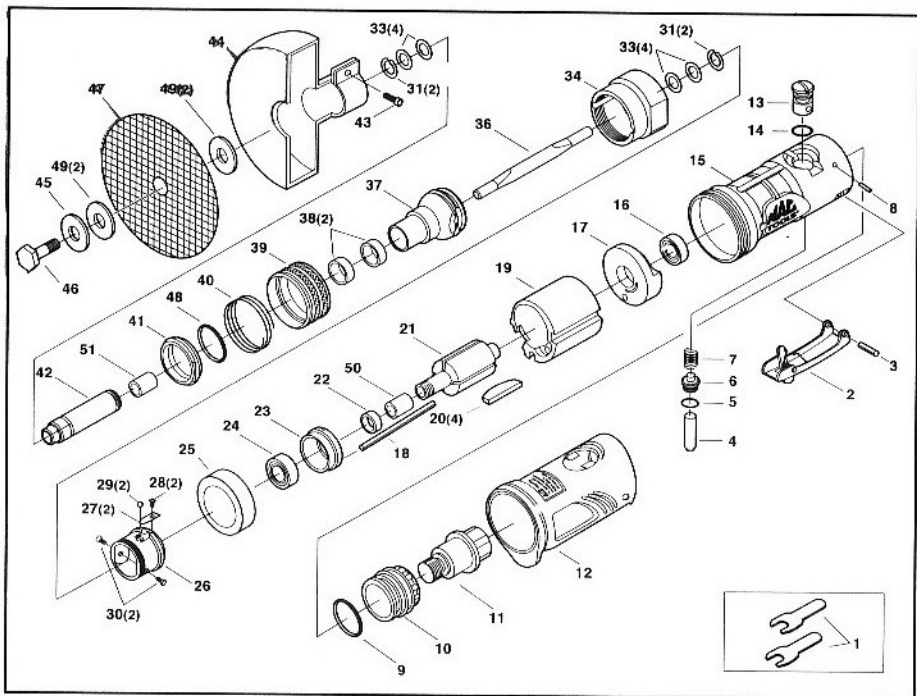


FLEX CUT-OFF TOOL

Model #AT 35 A



PARTS LIST:

Fig.	Parts No.	Description
1	AT35-01	Spanner Wrench Set
2	AG50-29	Safety Lever
3	AW156TR-46	Spring Pin
4	AR133-10	Valve Shaft
5	AR133-09	O-Ring
6	AR133-08	Throttle Valve
7	AR133-07	Valve Spring
8	AD510AH-22	Spring Pin
9	AG70-08	O-Ring
10	AG70-10	Exhaust Sleeve
11	AG60-27	Inlet Bushing
12	AG70-12	Housing Cover
13	AG60-17	Air Regulator
14	AR134-10	O-Ring
15	AT35A-15	Motor Housing
16	ADG210-11	Ball Bearing
17	AT35A-17	Rear End Plate
18	AT35A-18	Dowel Pin (3)
19	AT35A-19	Cylinder
20	AG70-20	Rotor Blade (4)
21	AT35-21	Rotor
22	AT35-22	Bearing Spacer
23	AT35A-23	Front End Plate
24	AW435-20	Ball Bearing
25	AT35A-25	Motor Lock Ring
26	AT35A-26	Socket Joint
27	AT35-27	Dent Spring (2)
28	AT35-28	Screw (2)
29	ASD810-11	Steel Ball (2)
30	AT35-30	Set Screw (2)
31	AT35-31	Retaining Ring (2)
33	AT35A-33	Shaft Washer B (4)
34	AT35A-34	Lock Ring
36	AT35-36	Power Shaft
37	AT35-37	Flex Shaft
38	AT35-38	Needle Bearing (2)
39	AT35-39	Lock Sleeve
40	AT35-40	Retainer Spring
41	AT35-41	Retainer Ring
42	AT35A-42	Drive Shaft
43	AW136-52	Cap Screw
44	AT35-44	Wheel Cover
45	APF600-22	Wheel Washer (M6)
46	AT35-46	Hex. Bolt
47		Cutting Wheel (See Catalog)
48	AW135-20	O-Ring
49	AT35-49	Wheel Washer-3/8" (2)
50	AT35-50	Bushing Long
51	AT35A-51	Bushing Short