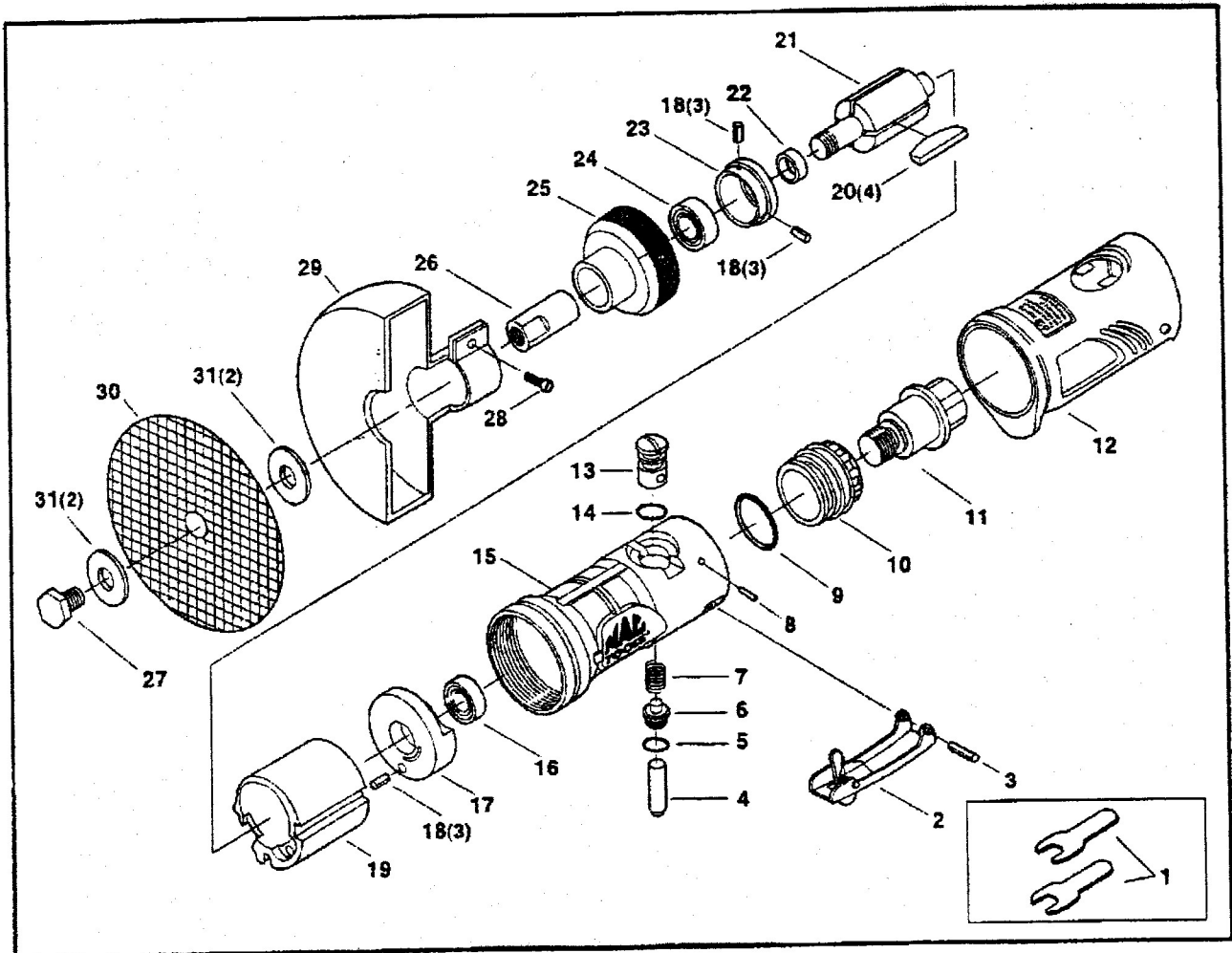


# CUT-OFF TOOL

## Model #AT 28



### PARTS LIST:

Fig.	Parts No.	Description
1	AT28-01	Spanner Wrench Set
2	AG50-29	Safety Lever
3	AW156TR-46	Spring Pin
4	AR133-10	Valve Shaft
5	AR133-09	O-Ring
6	AR133-08	Throttle Valve
7	AR133-07	Valve Spring
8	ADS10AH-22	Spring Pin
9	AG70-09	O-Ring
10	AG70-10	Exhaust Sleeve
11	AG60-27	Inlet Bushing
12	AG70-12	Housing Cover
13	AG60-17	Air Regulator
14	AR134-10	O-Ring
15	AG70-15	Motor Housing
16	ADG210-11	Ball Bearing
17	AG70-17	Rear End Plate
18	AR760-14	Spring Pin (3)
19	AG70-19	Cylinder
20	AG70-20	Rotor Blade (4)
21	AG70-21	Rotor
22	ADG210-17	Bearing Spacer
23	AG70-23	Front End Plate
24	ADG210-20	Ball Bearing
25	AT28-25	Lock Ring
26	AT28-26	Spindle
27	AMT206-21	Hex Bolt
28	AW136-52	Cap Screw
29	AMT206-19	Wheel Cover
30	—————	Cutting Wheel (See Catalog)
31	AMT206-20	Wheel Washer (2)