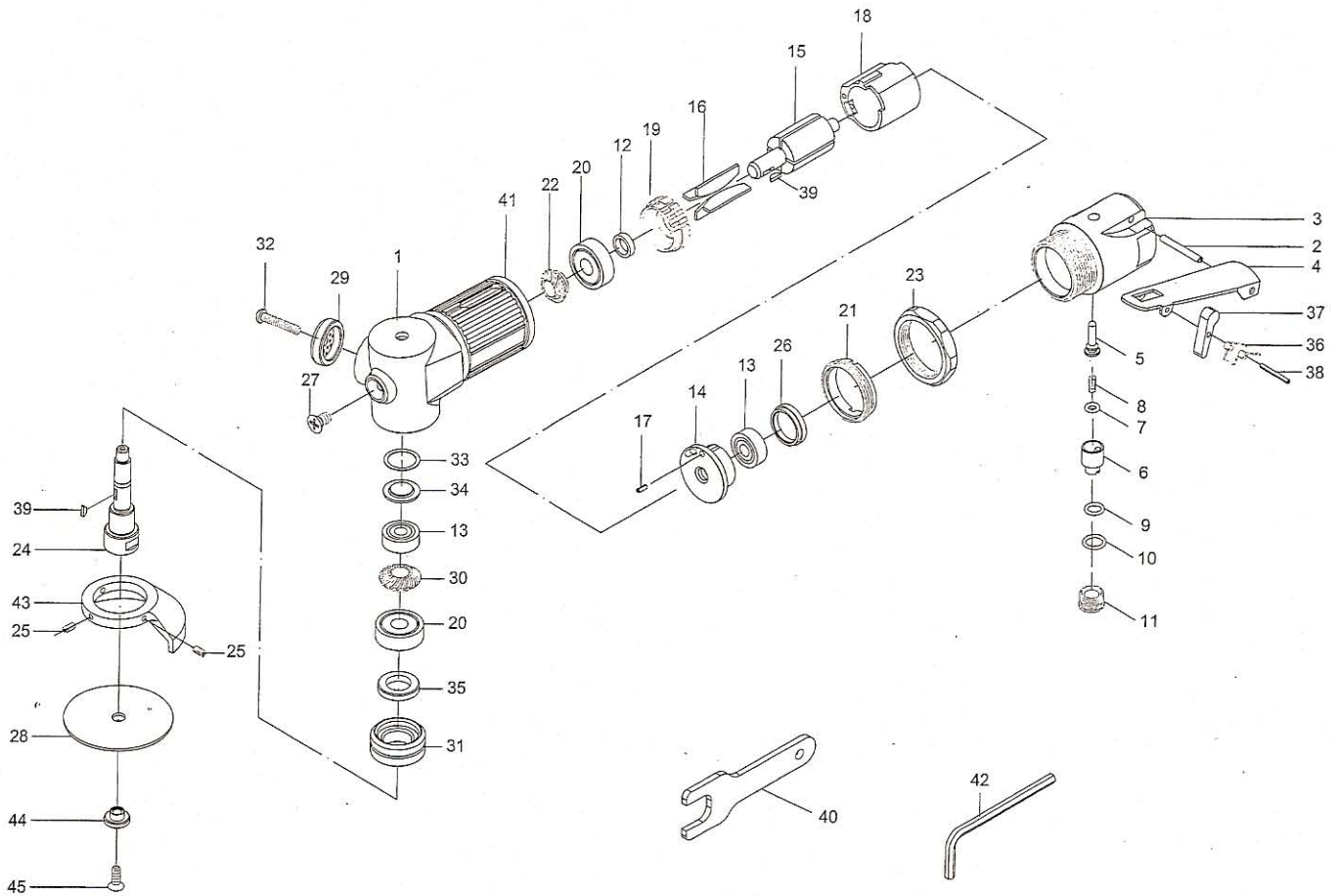


# PARTS BREAKDOWN FOR 2" ANGLE CUT-OFF TOOL - MODEL AT200



Index No.	Parts No.	Description	Index No.	Parts No.	Description
1	AG200-01	Housing	24	AT200-24	Spindle
2	AD3800AH-02	Spring Pin (3*24L)	25	AG200-25	Screw(3) (M3*5L)
3	AG200-03	Valve Body	26	AG200-26	Cap
4	AG200-04	Lever	27	AG200-27	Screw (M5*8L)
5	AG200-05	Valve Stem	28	AT200-28	Cutting Wheel 2"
6	AG200-06	Adjust Valve	29	AG200-29	Exhaust Cover
7	AD54013	O-Ring (Ø4.8*Ø1.9)	30	AG200-30	Bevel Gear
8	AG200-08	Spring	31	AG200-31	Lock Nut
9	AG200-09	O-Ring (Ø7.8*Ø1.9)	32	AG200-32	Screw (M4*12L)
10	AG200-10	O-Ring (Ø9.8*Ø2.4)	33	AG200-33	Packing
11	AG200-11	Throttle Valve Plug	34	AG200-34	Bearing Cover
12	AG200-12	Spacer	35	AG200-35	Seal
13	AG200-13	Ball Bearing (2) (606ZZ)	36	AG200-36	Spring
14	AG200-14	Rear End Plate	37	AGQP50M-28	Lever Bar
15	AG200-15	Rotor	38	AG200-38	Spring Pin (2*18L)
16	AG200-16	Rotor Blade (4)	39	AG200-38	Key(2)
17	AWQP120-17	Spring Pin (2.5*5L)	40	AG200-40	Spanner
18	AT200-18	Cylinder	41	AT200-41	Rubber Grip
19	AT200-19	Front End Plate	42	AS20-59	Hex.Key Wrench (4mm)
20	AD3800AH-20	Ball Bearing(2) (608ZZ)	43	AT200-43	Disc Cover
21	AG200-21	Lock Nut	44	AT200-44	Washer
22	AG200-22	Pinion Gear	45	AT200-45	Screw (M6*16L)
23	AG200-23	Lock Ring			