

Operating Instructions • Warning Information
• Parts Breakdown



! WARNING

Some dust created by power sanding, sawing, grinding, drilling, and other construction activities contains chemicals known to cause cancer, birth defects or other reproductive harm. Some examples of these chemicals are:

- Lead from lead-based paints,
- Crystalline silica from bricks and cement and other masonry products, and
- Arsenic and chromium from chemically-treated lumber.

Your risk from these exposures varies, depending on how often you do this type of work. To reduce your exposure to these chemicals: work in a well ventilated area, and work with approved safety equipment, such as those dust masks that are specially designed to filter out microscopic particles.

! WARNING

- MAXIMUM SPM OF 7,500
- MAX AIR PRESSURE: 90 PSIG, 6.2 BAR
- RPM OF THE ACCESSORY MUST EXCEED TOOL RPM



ALWAYS READ INSTRUCTIONS BEFORE USING POWER TOOLS



ALWAYS WEAR SAFETY GOGGLES



WEAR HEARING PROTECTION



AVOID PROLONGED EXPOSURE TO VIBRATION

SPECIFICATIONS	
Strokes Per Minute (SPM)7,500	Hose Size (I.D.) 5/16"
Stroke Length3/16"	Sound Pressure Level 84 dBA
Cutting Capacity 3/64" Steel	Sound Power Level 87 dBA
Air Inlet (NPT)1/4"	Length 7-5/8"
Air Pressure (PSI) 90	Net Weight 0.94 lbs.
Air Consumption (CFM) 0.7	

AS726M

Mini Air Saw

! WARNING

FAILURE TO OBSERVE THESE WARNINGS COULD RESULT IN INJURY.



THIS INSTRUCTION MANUAL CONTAINS IMPORTANT SAFETY INFORMATION.

READ THIS INSTRUCTION MANUAL CAREFULLY AND UNDERSTAND ALL INFORMATION BEFORE OPERATING THIS TOOL.

- Always operate, inspect and maintain this tool in accordance with American National Standards Institute Safety Code of Portable Air Tools (ANSI B186.1) and any other applicable safety codes and regulations.
- For safety, top performance and maximum durability of parts, operate this tool at 90 psig: 6.2 bar max air pressure with 3/8" diameter air supply hose.
- Always wear impact-resistant eye and face protection when operating or performing maintenance on this tool. Always wear hearing protection when using this tool.
- High sound levels can cause permanent hearing loss. Use hearing protection as recommended by your employer or OSHA regulation.
- Keep the tool in efficient operating condition.
- Operators and maintenance personnel must be physically able to handle the bulk, weight and power of this tool.
- Air under pressure can cause severe injury. Never direct air at yourself or others. Always turn off the air supply, drain hose of air pressure and detach tool from air supply before installing, removing or adjusting any accessory on this tool, or before performing any maintenance on this tool. Failure to do so could result in injury. Whip hoses can cause serious injury. Always check for damaged, frayed or loose hoses and fittings, and replace immediately. Do not use quick detach couplings at tool. See instructions for correct set-up.

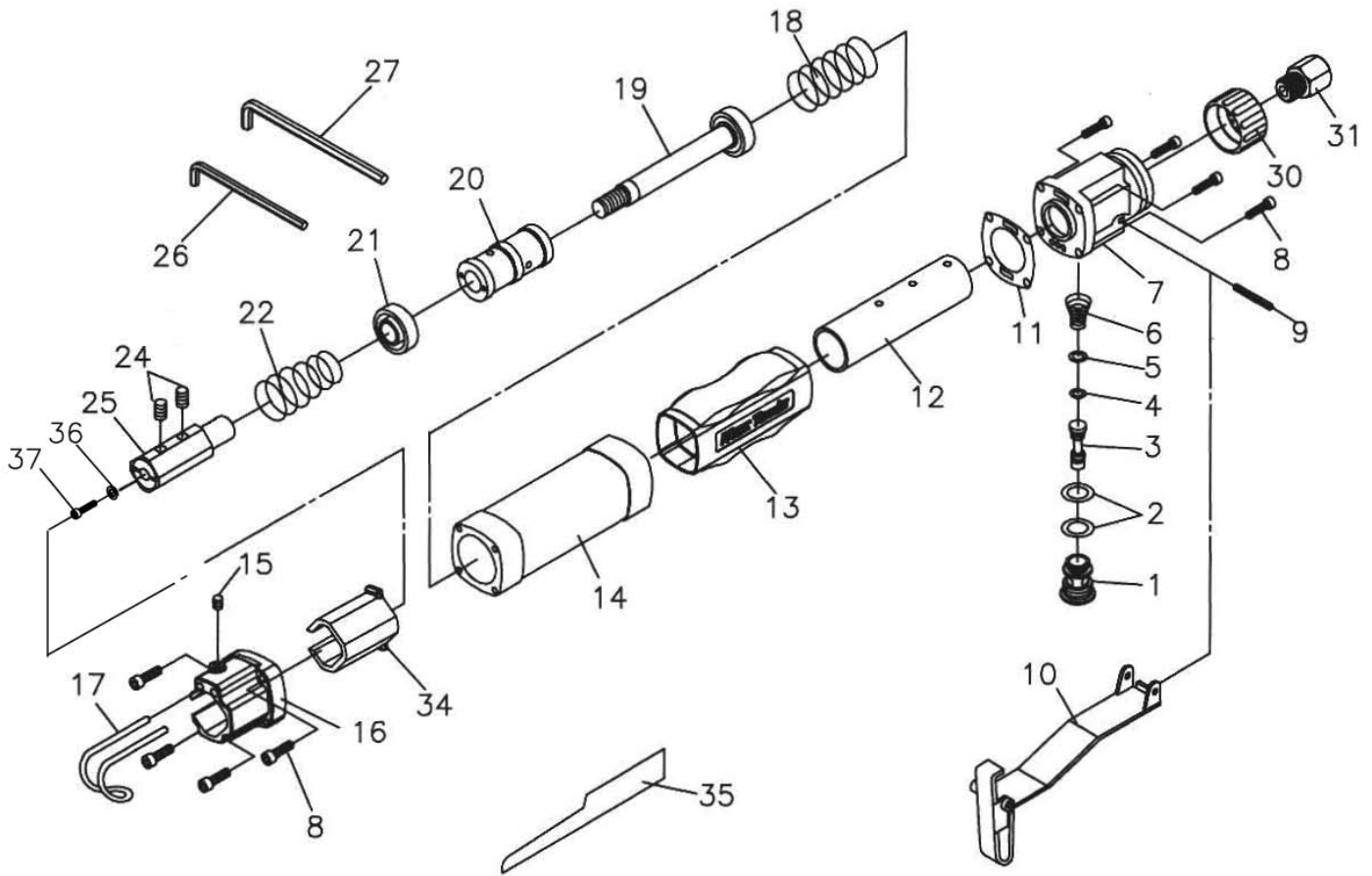


- Air powered tools can vibrate during use. Vibration, repetitive motions or uncomfortable positions over extended periods of time may be harmful to your hands and arms. Discontinue use of tool if discomfort, tingling feeling or pain occurs. Seek medical advice before resuming use.
- Place the tool on the work before starting the tool.
- Slipping, tripping and/or falling while operating air tools can be a major cause of serious injury or death. Be aware of excess hose left on the walking or work surface.
- Keep body working stance balanced and firm. Do not overreach when operating the tool.
- Anticipate and be alert for sudden changes in motion during start up and operation of any power tool.
- Do not carry tool by the hose. Protect the hose from sharp objects and heat.
- Keep away from rotating end of tool. Do not wear jewelry or loose clothing. Secure long hair. Scalping can occur if hair is not kept away from tool and accessories. Choking can occur if neckwear is not kept away from tool and accessories.
- Do not lubricate tools with flammable or volatile liquids such as kerosene, diesel or jet fuel.
- Do not force tool beyond its rated capacity.
- Do not remove any labels. Replace any damaged labels.
- Use accessories recommended by Mac Tools.



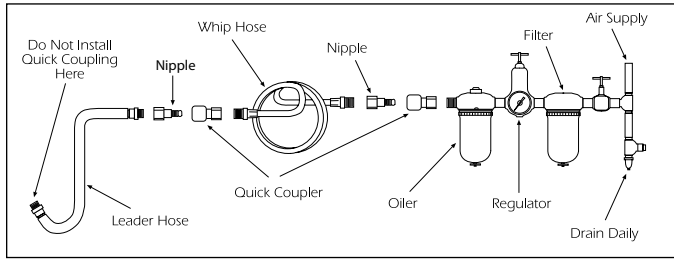
AS726M

Mini Air Saw



Ref. #	Item #	DESCRIPTION	QTY	Ref #	Item#	DESCRIPTION	QTY									
1	RS26101	Valve Plug	1	21		Operate Piston (Incl. w/ #19)	1									
2	RS26102	O-Ring	2	22		Front Cushion Spring (Incl. w/ #19)	1									
3	RS26103	Throttle Pin	1	24	RS26124A	Set Screw (Incl. w/ #19)	2									
4	RS848010	O-Ring	1	25		Blade Holder (Incl. w/ #19)	1									
5	RS26105	O-Ring	1	26	RS26126	Hexagon Wrench (2mm)	1									
6	RS26106	Spring	1	27	RS26127	Service Wrench (2.5mm)	1									
7	RS26107T	Valve Body	1	30	RS26130A	Exhaust Swivel	1									
8	RS26108	Cap Screw	8	31	RS26131	Air Inlet	1									
9	RS26109	Roll Pin	1	34	RS26134	Slide Insert	1									
10	RS26110	Safety Throttle Lever	1	35	*	Replacement Saw Blade	1									
11	RS26111	Gasket	1	36	RS26136	Lock Washer (Incl. w/ #19)	1									
12	RS26112	Cylinder	1	37	RS26137	Socket Head Cap Screw (Incl. w/ #19)	1									
13	RS26113MC	Comfort	1	<p>* Replacements available as:</p> <table border="0"> <tr> <td>ASB874</td> <td>24 TPI ECD Coat Srl Blade, 10 PK</td> </tr> <tr> <td>ASB876</td> <td>32 TPI ECD Coat Srl Blade, 10 PK</td> </tr> <tr> <td>ASB884</td> <td>24 TPI ECD Coat Blade, 10 PK</td> </tr> <tr> <td>ASB886</td> <td>32 TPI ECD Coat Blade, 10 PK</td> </tr> <tr> <td>ASB984</td> <td>Air Saw Blade 32 (10 PK)</td> </tr> </table>			ASB874	24 TPI ECD Coat Srl Blade, 10 PK	ASB876	32 TPI ECD Coat Srl Blade, 10 PK	ASB884	24 TPI ECD Coat Blade, 10 PK	ASB886	32 TPI ECD Coat Blade, 10 PK	ASB984	Air Saw Blade 32 (10 PK)
ASB874	24 TPI ECD Coat Srl Blade, 10 PK															
ASB876	32 TPI ECD Coat Srl Blade, 10 PK															
ASB884	24 TPI ECD Coat Blade, 10 PK															
ASB886	32 TPI ECD Coat Blade, 10 PK															
ASB984	Air Saw Blade 32 (10 PK)															
14	RS26114	Body	1													
15	RS26115	Set Screw	1													
16	RS26116A	Head	1													
17	RS26117	Saw Blade Guard	1													
18	RS26118	Rear Cushion Spring	1													
19	RS26119C	Piston Rod Assy.	1													
20		Work Piston (Incl. w/ #19)	1													

Operating Instructions • Warning Information • Parts Breakdown



AIR SUPPLY

Tools of this class operate on a wide range of air pressures. It is recommended that air pressure of these tools measures 90 PSI at the tool while running free. Higher pressure (over 90 psig; 6.2 bar) raises performance beyond the rated capacity of the tool, which will shorten tool life because of faster wear and could cause injury.

Always use clean, dry air. Dust, corrosive fumes and/or water in the air line will cause damage to the tool. Drain the air tank daily. Clean the air inlet filter screen on at least a weekly schedule. The recommended hookup procedure can be viewed in the above figure.

The air inlet used for connecting air supply has standard 1/4" NPT. Line pressure should be increased to compensate for unusually long air hoses (over 25 feet). Minimum hose diameter should be 5/16" I.D. and fittings should have the same inside dimensions and be tightly secured.

LUBRICATION

Lubricate the air motor daily with quality air tool oil. If no air line oiler is used, run 1/2 oz. of oil through the tool. The oil can be squirted into the tool air inlet or into the hose at the nearest connection to the air supply, then run the tool. A rust inhibitive oil is acceptable for air tools.

WARNING: After an air tool has been lubricated, oil will discharge through the exhaust port during the first few seconds of operation. The exhaust port must be covered with a towel before applying air pressure to prevent serious injury.

OPERATION

Speed adjustment is achieved through variable pressure on the trigger.

Increasing the pressure will increase the speed of the blade.

To Change Blades:

1. Loosen #24 Set Screws with #27 wrench.
2. Remove old blade and insert new blade into #25 blade holder, and tighten #24 set screws.

TROUBLESHOOTING

Other factors outside the tool may cause loss of power or erratic action. Reduced compressor output, excessive drain on the air line, moisture or restrictions in air pipes or the use of hose connections of improper size or poor conditions may reduce air supply. Grit or gum deposits in the tool may cut power and may be corrected by cleaning the air strainer and flushing out the tool with gum solvent oil or an equal mixture of SAE #10 and kerosene. If outside conditions are in order, disconnect tool from hose and take tool to your Mac Tools Distributor for repair.