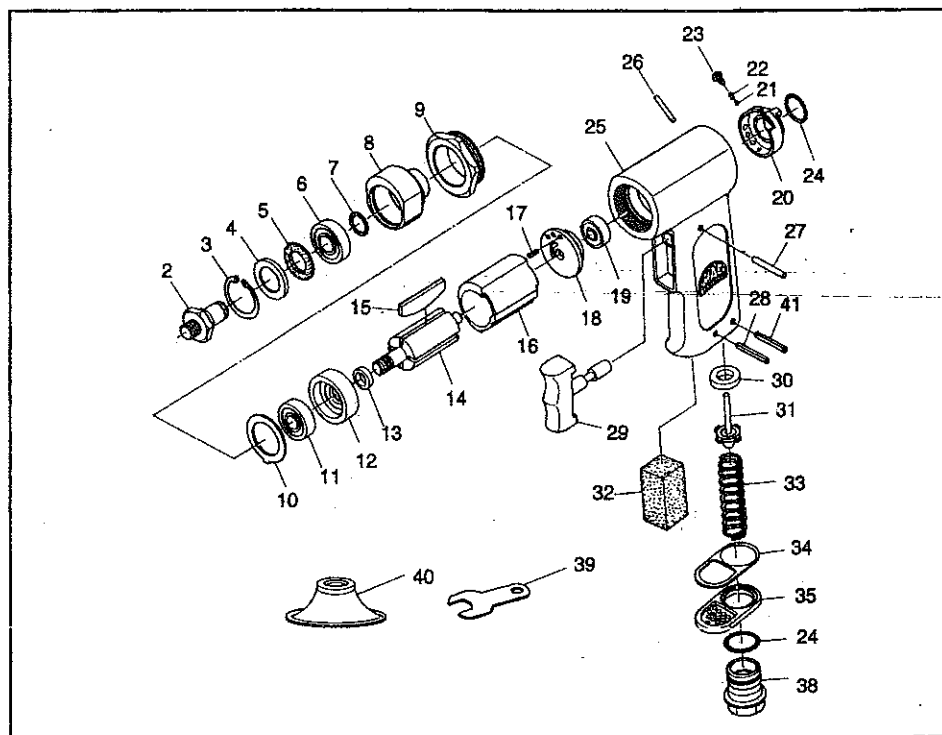


3" MINI DA SANDER

Model #AS 517



PARTS LIST:

Fig.	Parts No.	Description
2	AS517-02	Random Shaft
3	AS517-03	Snap Ring
4	AS517-04	Shim
5	AS517-05	Dust Seal
6	AS517-06	Bearing
7	AS517-07	Snap Ring
8	AS517-08	Eccentric Hub
9	AS517-09	Clamp Nut
10	AS517-10	Spacer
11	ADG200-20	Bearing
12	AS517-12	Front Plate
13	AS517-13	Spacer
14	AS517-14	Rotor
15	AR133-14	Rotor Blade(4)
16	AR133-16	Cylinder
17	AR133-15	Spring Pin
18	AS517-18	Rear Plate
19	ADG210-11	Bearing
20	AS517-20	Air Regulator
21	AW136-18	Steel Ball
22	AS517-22	Rubber Spring
23	AW135-07	Set Screw
24	AW375-17	"O" Ring(2)
25	AS517-25	Motor Housing
26	AS517-26	Needle Pin
27	AS517-27	Needle Pin
28	AW170-35	Spring Pin
29	AS517-29	Trigger
30	AS517-30	Valve Seat
31	AS517-31	Valve
32	AS517-32	Muffler Foam(3)
33	AS517-33	Valve Spring
34	AW375-19	Deflector Gasket
35	AW375-21	Deflector
38	AS517-38	Inlet Bushing
39	AS517-39	Spanner
40	AS517-40	Pad Holder
41	AW145-016	Spring Pin