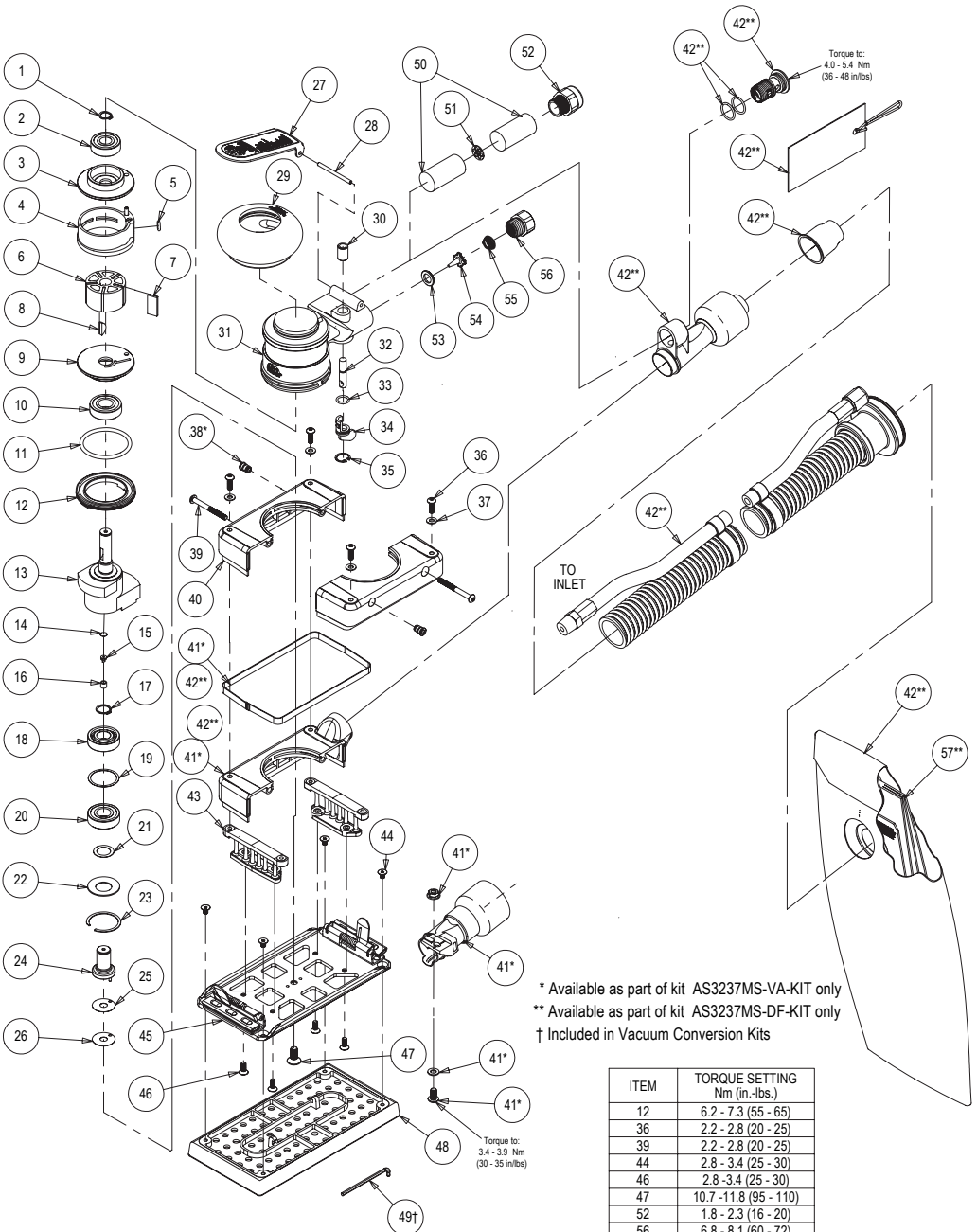


AS3237MS-PSA/AS3237MS-JH AIR POWERED 3²/₃x7" ORBITAL SANDERS



* Available as part of kit AS3237MS-VA-KIT only
 ** Available as part of kit AS3237MS-DF-KIT only
 † Included in Vacuum Conversion Kits

ITEM	TORQUE SETTING Nm (in.-lbs.)
12	6.2 - 7.3 (55 - 65)
36	2.2 - 2.8 (20 - 25)
39	2.2 - 2.8 (20 - 25)
44	2.8 - 3.4 (25 - 30)
46	2.8 - 3.4 (25 - 30)
47	10.7 - 11.8 (95 - 110)
52	1.8 - 2.3 (16 - 20)
56	6.8 - 8.1 (60 - 72)

Parts List

Item	Part Number	Description	Qty
1	AS415-40	RETAINING RING	1
2	AS415-21	BEARING - 2 SHIELDS	1
3	AS3MS-13	REAR ENDPLATE	1
4	AS3MS-11	CYLINDER ASSEMBLY	1
5	AS415-42	O-RING	1
6	AS415-05B	ROTOR	1
7	AS415-10	VANE	5
8	AS415-41	WOODRUFF KEY	1
9	AS3MS-12	FRONT ENDPLATE	1
10	AS415-19	BEARING - 2 SHIELDS	1
11	AS415-45	O-RING	1
12	AS415-01	LOCK RING	1
13	AS3237MS-01	3/16 IN ORBIT OS AirSHIELD SHAFT BALANCER FOR CLAMP STYLE SCREW-ON PAD	1
	AS3237MS-10	3/16 in. ORBIT OS AirSHIELD SHAFT BALANCER FOR SCREW ON PAD	1
14	AS415-122	FILTER	1
15	AS415-121	CHECK VALVE	1
16	AS415-120	VALVE RETAINER	1
17	AS3237MS-02	RETAINING RING	1
18	AS415-35	BEARING NO SEALS/SHIELDS	1
19	AS415-193	SPACER	1
20	AS415-20	BEARING - 1 SEAL	1
21	AS415-16	SPACER 0.2 THK	1
22	AS415-17	BELLEVILLE WASHER	1
23	AS415-18	RETAINING RING	1
24	AS3237MS-03	SPINDLE ASSEMBLY	1
25	AS34MS-04	SPACER 0.2 THK	Optional
26	AS34MS-03	SPACER 0.4 THK	1
27	AS3237MS-04	LEVER	1
28	AS415-31	LEVER SPRING PIN	1
	AS415-241	GRIP 2 1/2 in.	Optional
29	AS415-242	GRIP 2 3/4 in.	Optional
	AS415-09R	GRIP 3 in.	1
30	AS3MS-01	VALVE SLEEVE	1
31	AS3MS-09	HOUSING	1
32	AS415-08	VALVE STEM ASSEMBLY	1
33	AS415-43	O-RING	1
34	AS415-14B	SPEED CONTROL	1
35	AS415-39	INTERNAL RETAINING RING	1
36	AS34MS-06	MACHINE SCREW	4
37	AS34MS-07	WASHER	4
38	AS3237MS-05	THREADED INSERT 4 MM (One included in Vacuum Conversion Kits)	2
39	AS3237MS-06	SCREW	2
40	AS3237MS-07	NV SHROUD (RH/LH)	2
41	AS3237MS-VA-KIT	NV OS TO CV CONVERSION KIT	Optional
42	AS3237MS-DF-KIT	NV OS TO SGV CONVERSION KIT	Optional
43	AS3237MS-08	PAD SUPPORT ASSEMBLY	2
44	AS34MS-10	MACHINE SCREW	4
45	AS3237MS-09	PAD BACKING ASSEMBLY W/TORSION CLAMPS - FOR SCREW ON PADS	1
	AS3237MS-11	SCREW-ON PAD BACKING	1
46	AS34MS-12	MACHINE SCREW	4
47	AS34MS-13	MACHINE SCREW	1
48	AS3237MS-PSA-PAD	SCREW-ON,NV VINYL FACE PAD (Dependent upon machine purchased)	N/A
	AS3237MS-JH-PAD	SCREW-ON,NV J-HOOK FACE PAD (Dependent upon machine purchased)	N/A
49	AS34MS-14	2.5 mm HEX WRENCH (Included in Vacuum Conversion Kits)	1
50	AS415-32	MUFFLER INSERT	2
51	AS415-38	MUFFLER PLATE	1
52	AS415-166	MUFFLER HOUSING	1
53	AS415-09	VALVE SEAT	1
54	AS415-07	VALVE	1
55	AS415-14	VALVE SPRING	1
56	AS415-13	INLET BUSHING ASSEMBLY	1
57	AS3MS-46	VACUUM BAG INSERT (One included in Kit, 5 pack available separately)	Optional