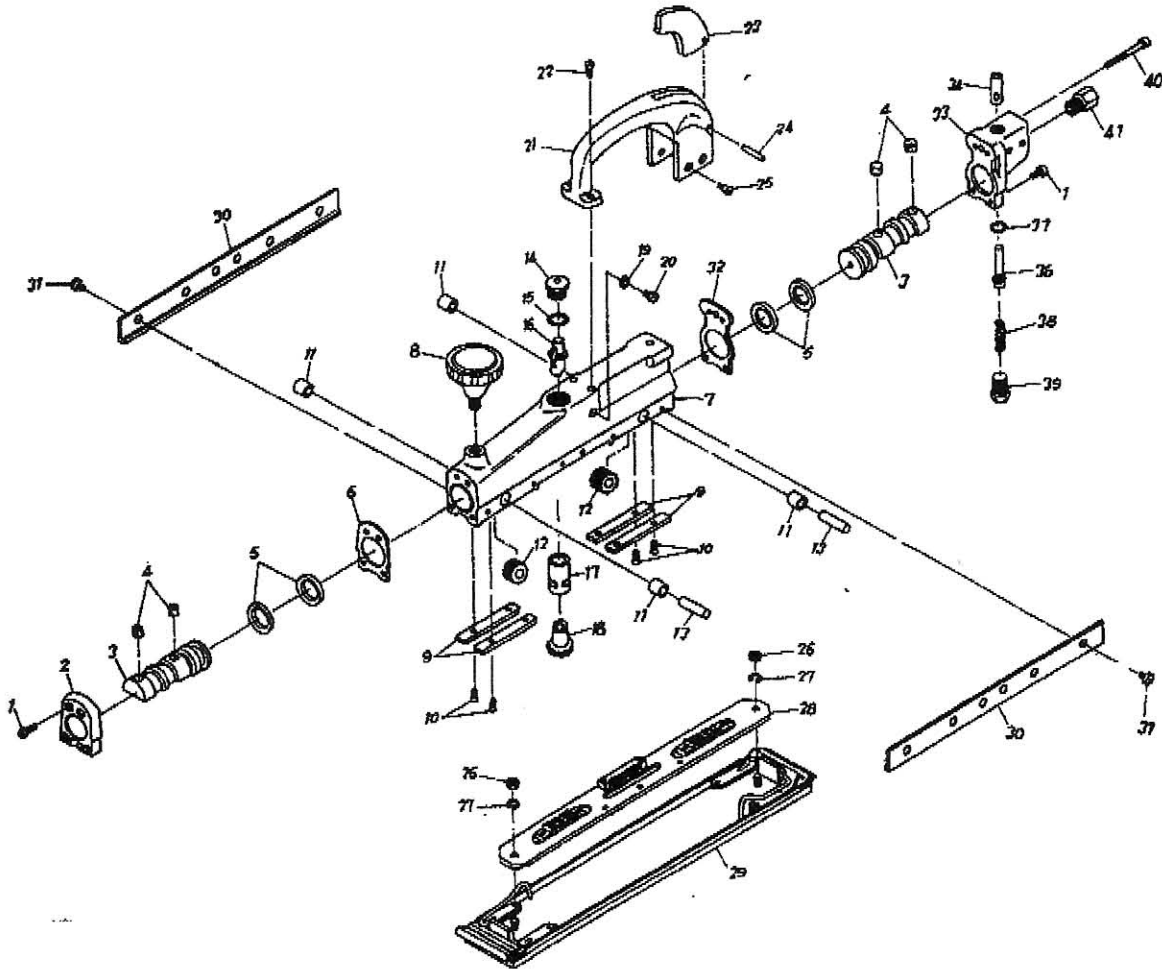


AS316 STRAIGHT-LINE SANDER



INDEX NO	PARTS NO.	DESCRIPTION	Q'TY	INDEX NO	PARTS NO.	DESCRIPTION	Q'TY
1	NOT SOLD SEPARATELY	SOCKET HEAD SCREW	6	21	AS31621	HANDLE	1
2	AS31602	FRONT CAP	1	22	NOT SOLD SEPARATELY	SCREW	2
3	AS31603	PISTON	2	23	AS31623	TRIGGER	1
4	NOT SOLD SEPARATELY	PLUG	4	30	NOT SOLD SEPARATELY	SIDE STRAP	2
5	NOT SOLD SEPARATELY	PISTON RING	4	31	NOT SOLD SEPARATELY	SIDE STRAP SCREW	12
6	NOT SOLD SEPARATELY	FRONT GASKET	1	32	NOT SOLD SEPARATELY	REAR GASKET	1
7	AS31607	BODY	1	33	AS31633	CAP	1
8	AS31608	KNOB	1	34	NOT SOLD SEPARATELY	BUSHING	1
9	NOT SOLD SEPARATELY	WEAR PLATE	4	36	NOT SOLD SEPARATELY	VALVE PIN	1
10	NOT SOLD SEPARATELY	SOCKET HEAD SCREW	8	37	NOT SOLD SEPARATELY	O-RING	1
11A	AS31611	BEARING	4	38	NOT SOLD SEPARATELY	VALVE SPRING	1
12	NOT SOLD SEPARATELY	GEAR	2	39	NOT SOLD SEPARATELY	VALVE PLUG	1
13	NOT SOLD SEPARATELY	GEAR SHAFT	2	40	NOT SOLD SEPARATELY	LONG HEAD SCREWS	2
14	AS31614	PLUNGER	1	41	AS31641	AIR INLET ADAPTER	1
15	NOT SOLD SEPARATELY	O-RING	1	1,4,5,6,9-11A,14,15,19,20,22,24-28,30-32,34-40	AS3160HK	OVERHAUL KIT	1
16	AS31616	ADJ. SHAFT	1	9,10,28,30,31	AS316CK	CARRIER & STRAP KIT	1
17	AS31617	ACTUATOR VALVE	1	1,4,5,6,10,15,19,20,22,25-27,31,32,37-40	AS316TSK	TUNE UP & SCREW KIT	1
18	AS31618	ACTUATOR GEAR	1	3,4,5,6,32	AS316PK	PISTON REPLACEMENT SET	1
19	NOT SOLD SEPARATELY	WASHER	1	11A,12,13	AS316GK	GEAR REPLACEMENT SET	1
20	NOT SOLD SEPARATELY	FLAT HD	1	29	AS31629	Pad Assembly	1