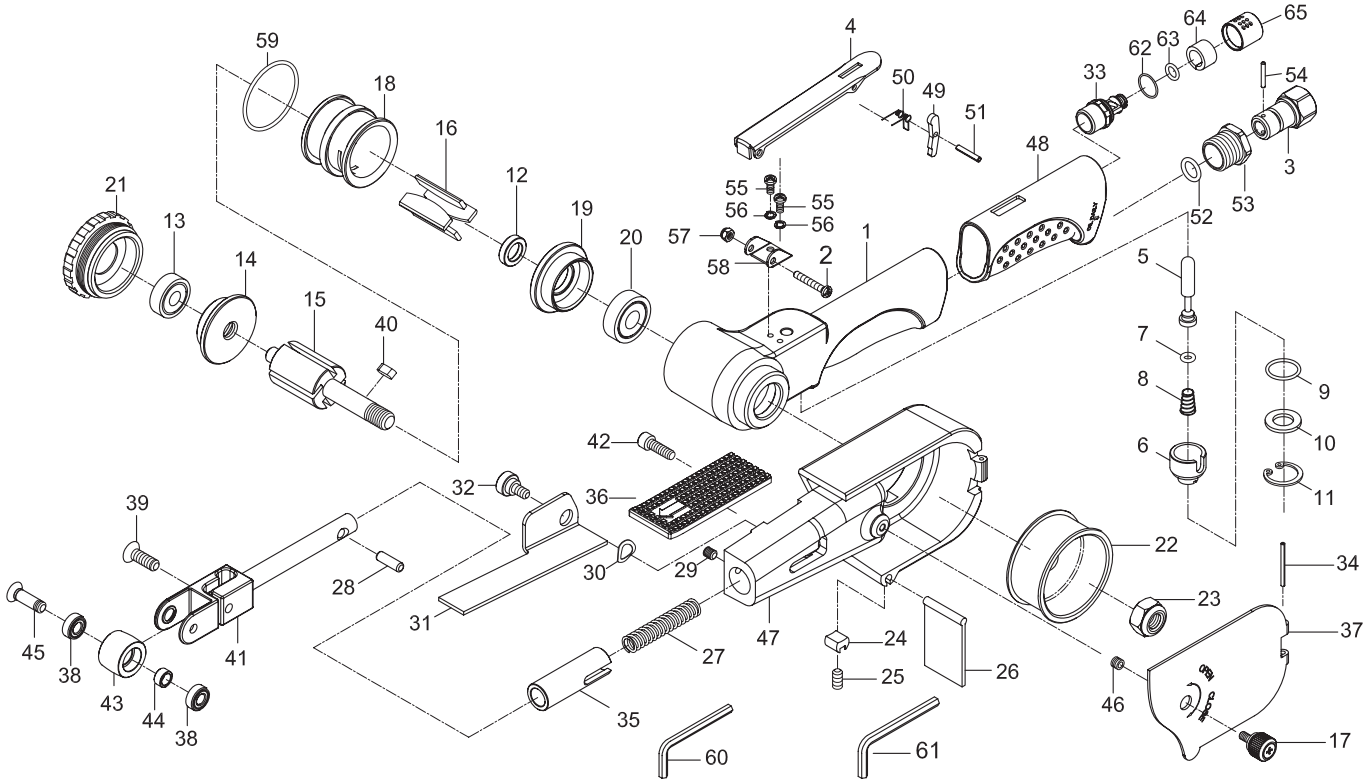


PARTS BREAKDOWN FOR AS20



Index No.	Parts No.	Description	Index No.	Parts No.	Description
1	AS20-1	Housing	34	AS20-34	Spring Pin (2*26L)
2	AS20-2	Screw (M4*25L)	35	AS20-35	Bushing
3	AS20-3	Air Inlet	36	AS20-36	Finger Pad
4	AS20-4	Throttle Lever	37	AS20-37	Guard
5	AS20-5	Valve Stem	38	AS20-38	Ball Bearing (2) (686ZZ)
6	AS20-6	Valve	39	AS20-39	Screw (M6*18L)
7	AS20-7	O-Ring (3.9*1.9)	40	AS20-40	Key (4*4*10)
8	AS20-8	Spring	41	AS20-41	Tension Bar
9	AS20-9	O-Ring (14.5*1.5)	42	AS20-42	Screw (M5*16L)
10	AS20-10	Spacer	43	AS20-43	Idle Pulley
11	AS20-11	Retaining Ring (RTW-18)	44	AS20-44	Spacer
12	AS20-12	Spacer	45	AS20-45	Screw
13	AD3800AH-20	Ball Bearing (608ZZ)	46	AS20-46	Screw Thread Inserts(#8-32UNC*1D)
14	AS20-14	Rear End Plate	47	AS20-47	Guard Body
15	AS20-15	Rotor	48	AS20-48	Grip
16	AS20-16	Rotor Blade (4)	49	AS20-49	Safety Bar
17	AS20-17	Screw	50	AS20-50	Spring
18	AS20-18A	Cylinder	51	AS20-51	Spring Pin (3*18L)
19	AS20-19	Front End Plate	52	AS20-52	O-Ring (8.8*1.7)
20	AD1400-20	Ball Bearing (6000ZZ)	53	AS20-53	Screw
21	AS20-21	Cap	54	AS20-54	PIN (2*13.8)
22	AS20-22	Drive Pulley	55	AS20-55	Screw (2) (M4*8L)
23	AS20-23	Nut (M10)	56	AS20-56	Spring Washer (2) (M4)
24	AS20-24	Guard Body Lock	57	AS20-57	Nut (M4)
25	AS20-25	Screw (M5*10L)	58	AS20-58	Lever Support
26	AS20-26	Dust Cover	59	ARQP380-49	O-Ring (26.7*1.78)
27	AS20-27	Spring	60	AS20-59	Hex. Key Wrench (4mm)
28	AS20-28	Pin (5*15.8L)	61	AS20-60	Hex. Key Wrench (2.5mm)
29	AS20-29	Screw (M5*5L)	62	AGQP100-33	O-Ring (14*1)
30	AS20-30	Wave Washer (WW8)	63	AS20-63	O-Ring (5.8*1.9)
31	AS20-31	Flat Shoe	64	AS20-64	Muffler
32	AS20-32	Screw	65	AS20-65	Exhaust Sleeve
33	AS20-33A	Exhaust Shaft			