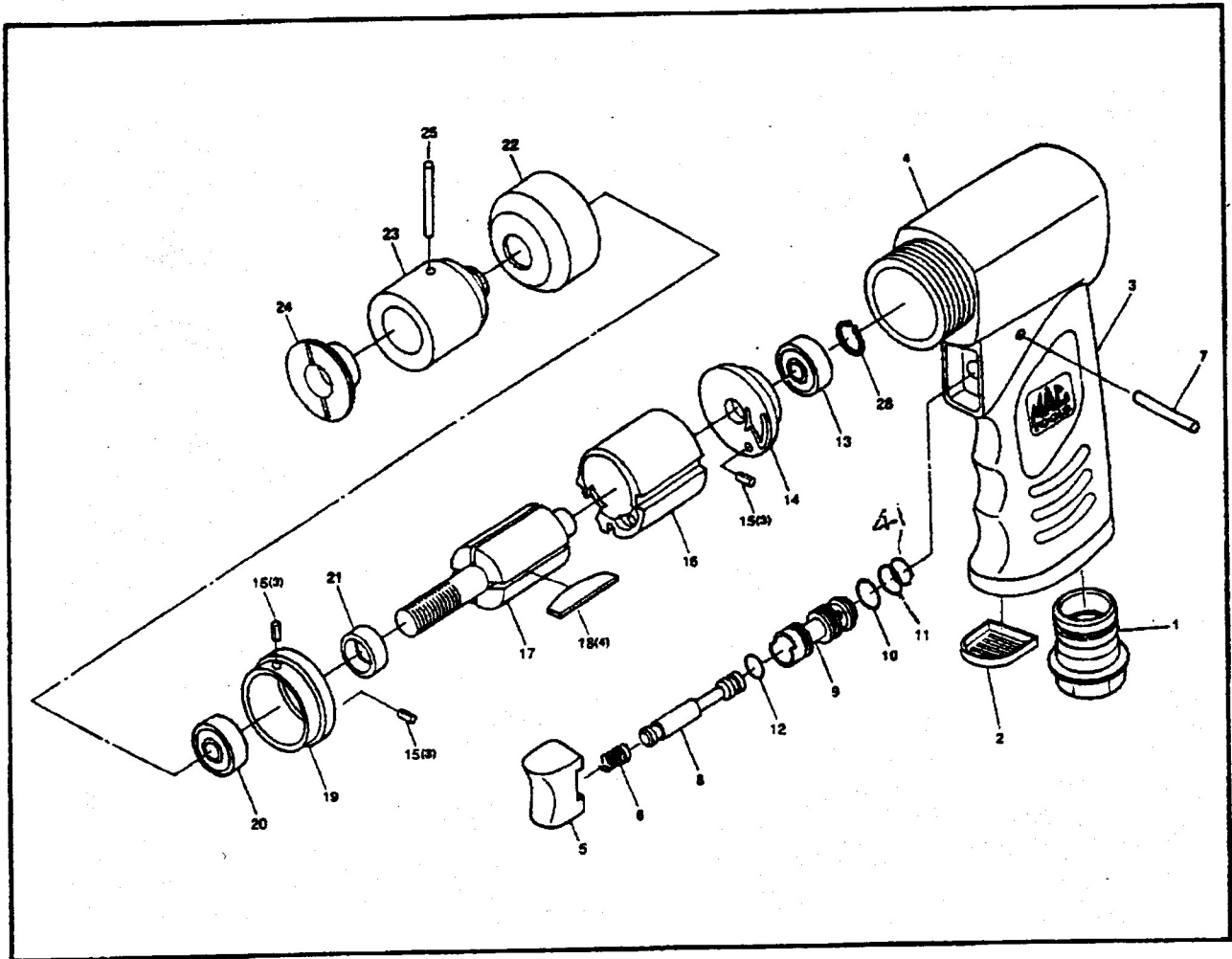


# 5" HIGH SPEED AIR SANDER

## Model #AS 15



### PARTS LIST:

Fig.	Parts No.	Description
1	AD901-01	Inlet Bushing
2	AW435-41	Deflector
3	AD901-03	Handle Cover
4	AS15-04	Motor Housing
5	AD527-25	Trigger
6	AD901-06	Valve Spring
7	AN213-03	Spring Pin
8	AD901-08	Valve Shaft
9	AD901-09	Valve Bushing
10	AW156TR-51	O-Ring
11	AW148TR-39	O-Ring
12	AR-133-09	Throttle valve O-Ring
13	AR133-11	Ball Bearing
14	AS15-14	Rear End Plate
15	AR760-14	Spring Pin
16	AG70-19	Cylinder
17	AS15-17	Rotor
18	AG70-20	Rotor Blade(4)
19	AS15-19	Front End Plate
20	ADG210-20	Ball Bearing
21	ADG210-17	Rotor Collar
22	AG70-25	Lock Ring
23	AS15R-32	Disc Holder
24	AS15-24	Disc Nut
25	AS15R-37	Rod
26	AS15R-38	Backing Pad Small(Not Shown)
27	AS15R-39	Backing Pad Large(Not Shown)
28	AW135-51	Retaining Ring
41	AW375-17	O Ring