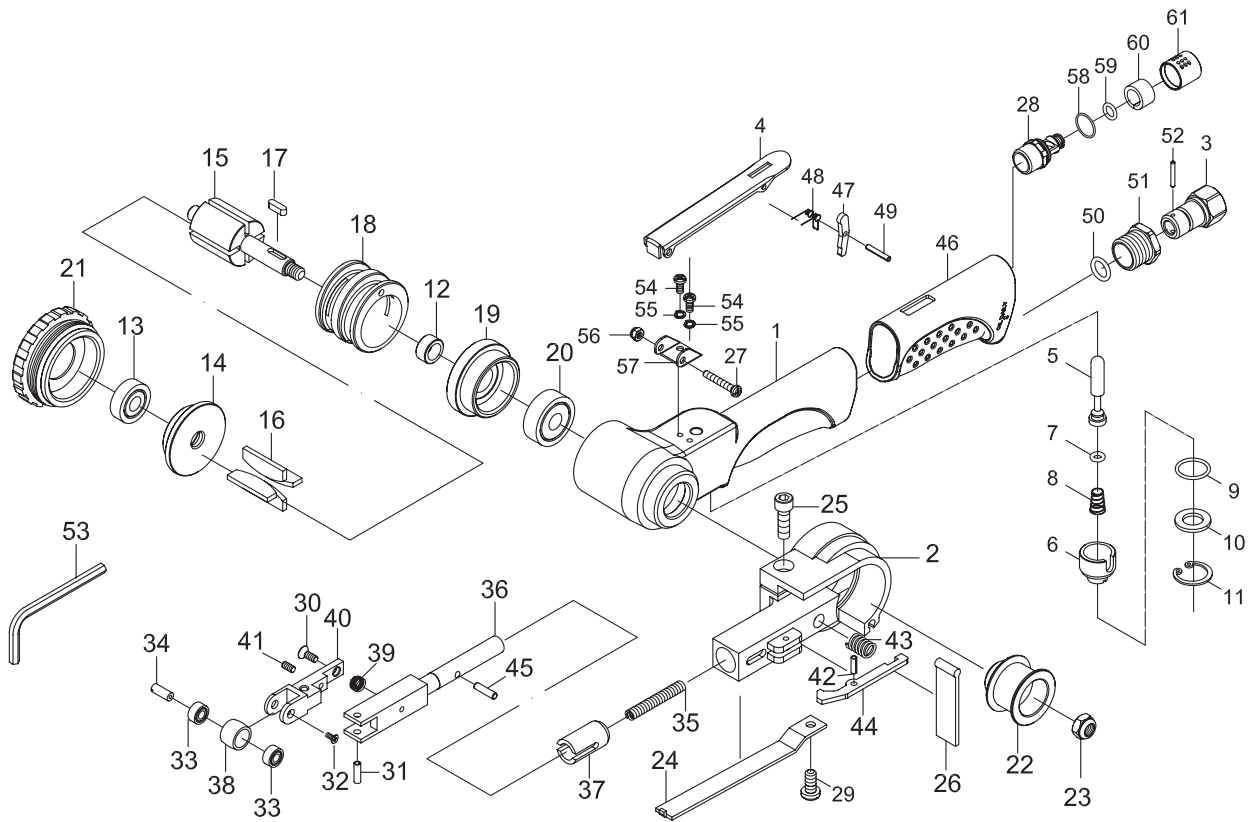


PARTS BREAKDOWN FOR AS10



Index No.	Parts No.	Description	Index No.	Parts No.	Description
1	AS10-1	Motor Housing	32	AS10-32	Screw (M2x5)
2	AS10-2	Guard	33	AS10-33	Ball Bearing (2) (684zz)
3	AS20-3	Air Inlet	34	AS10-34	Idle Pulley Shaft
4	AS20-4	Throttle Lever	35	AS10-35	Spring
5	AS20-5	Valve Stem	36	AS10-36	Tension Bar
6	AS20-6	Valve	37	AS10-37	Bushing
7	AS20-7	O-Ring (3.9x1.9)	38	AS10-38	Idle Pulley
8	AS20-8	Spring	39	AS10-39	Spring
9	AS20-9	O-Ring (14.5x1.5)	40	AS10-40	Bracket
10	AS20-10	Spacer	41	AS10-41	Screw (M3x6)
11	AS20-11	Retaining Ring (RTW-18)	42	AS10-42	Spring Pin (2.5x8)
12	AG200-12	Spacer	43	AS10-43	Spring
13	AS10-13	Ball Bearing (607zz)	44	AS10-44	Safety Lever
14	AS10-14	Rear End Plate	45	AS10-45	Lock Pin (3x11.8)
15	AS10-15	Rotor	46	AS20-48	Grip
16	AS10-16	Rotor Blade (4)	47	AS20-49	Safety Bar
17	AS10-17	Key (3x3x10)	48	AS20-50	Spring
18	AS10-18	Cylinder	49	AS20-51	Spring Pin (3*18L)
19	AS10-19	Front End Plate	50	AS20-52	O-Ring (8.8*1.7)
20	AS10-20	Ball Bearing (628zz)	51	AS20-53	Screw
21	AS10-21	Cap	52	AS20-54	Pin (2*13.8)
22	AS10-22	Drive Pulley	53	AS20-59	Hex. Key Wrench (4mm)
23	AS10-23	Hexagon Nut (M6)	54	AS20-55	Screw (2) (M4*8L)
24	AS10-24	Shoe	55	AS20-56	Spring Washer (2)
25	AS10-25	Bolt (M5x16)	56	AS20-57	Nut (M4)
26	AS10-26	Dust Cover	57	AS20-58	Lever Support
27	AS20-2	Screw (M4x25L)	58	AGQP100-33	O-Ring (14x1)
28	AS20-33A	Exhaust Shaft	59	AS20-63	O-Ring (5.8x1.9)
29	AS10-29	Screw (M4x8)	60	AS20-64	Muffler
30	AS10-30	Screw (M3x8)	61	AS20-65	Exhaust Sleeve
31	AS10-31	Spring Pin (3x10)			