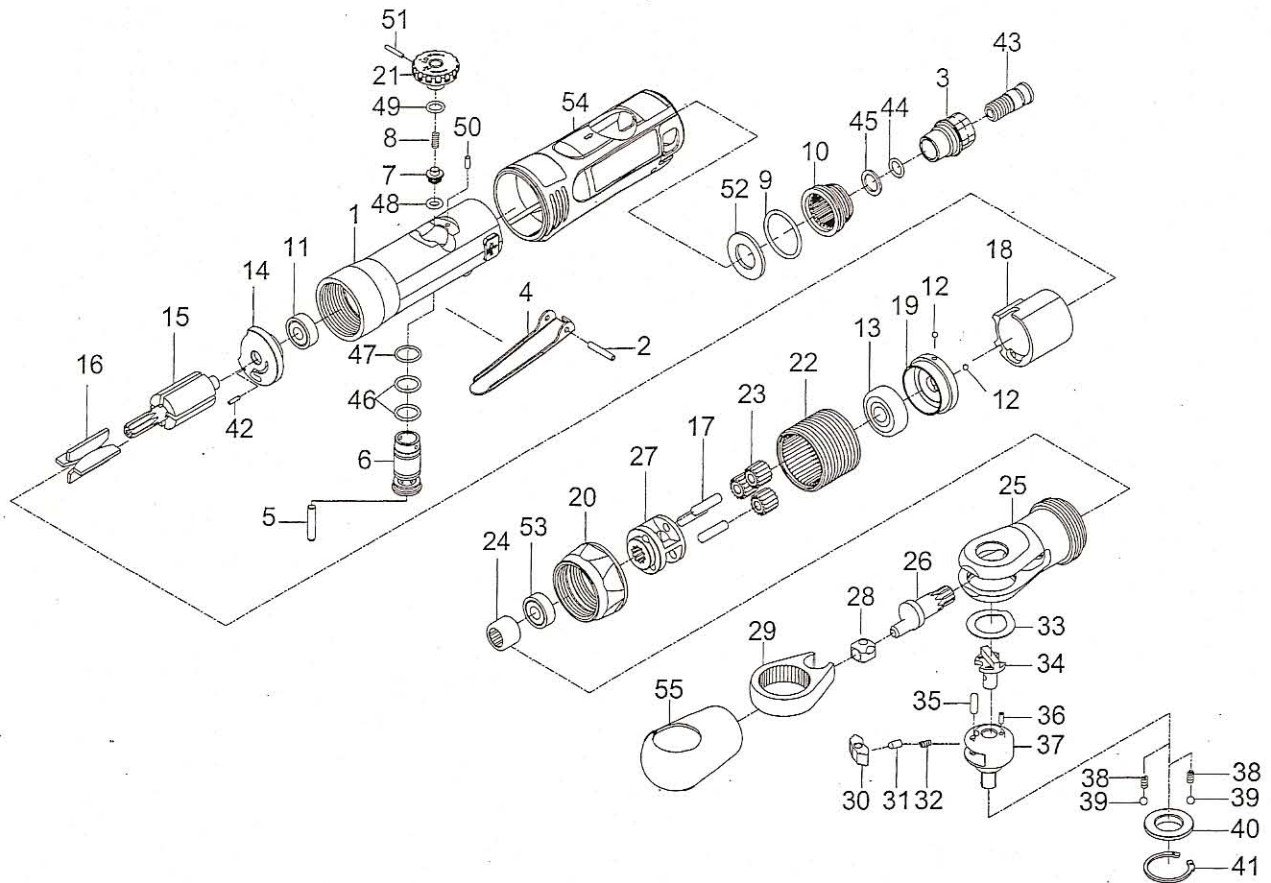


PARTS BREAKDOWN FOR 3/8" MINI RATCHET WRENCH - MODEL ARQP380M



Index No.	Parts No.	Description	Index No.	Parts No.	Description
1	ARQP380M-01	Housing	29	ARQP380M-29	Yoke
2	AS20-51	Spring Pin (3*18L)	30	ARQP380M-30	Ratchet Pawl
3	ARQP380-03	Connection	31	ARQP380M-31	Spring Cap
4	ARQP380M-04	Throttle lever	32	ARQP380M-32	Spring
5	ARQP380M-05	Valve Pin	33	ARQP380M-33	Washer
6	ARQP380M-06	Valve	34	ARQP380M-34	Reverse Button
7	ARQP380M-07	Throttle Valve	35	ARQP380M-35	Pin (3.3*8.8)
8	ARQP140M-08	Spring	36	AG200-17	Spring Pin (2*5L)
9	ARQP380M-09	O-Ring (22.8*2)	37	ARQP380M-37	Ratchet Anvil 3/8"
10	ARQP380M-10	Deflector	38	ARQP380M-38	Spring (2)
11	AGQP50M-13	Ball Bearing (696ZZ)	39	ARQP380M-39	Steel Ball(2) (1/8")
12	AGQP50M-30	Steel Ball(2) (3/32")	40	ARQP380M-40	Thrust Washer
13	ARQP380M-13	Ball Bearing (627ZZ)	41	ARQP380M-41	Retainer Ring (IRTW-22)
14	AGQP50M-14	Rear End Plate	42	AD1400-17	Spring Pin (1.5*6L)
15	ARQP380M-15	Rotor	43	ARQP380-45	Fixed Shaft
16	ARQP380M-16	Vane(4)	44	ARQP380-46	O-Ring (7.5*1.5)
17	ARQP380M-17	Idler Gear Pin (3) (4*15.8L)	45	AGQP50M-38	Washer
18	ARQP380M-18	Cylinder	46	ARQP380-11	O-Ring (2) (10.7*1.5)
19	ARQP380M-19	Front End Plate	47	ARQP380-09	O-Ring (11.4*1.3)
20	ARQP380M-20	Nut	48	AS20-7	O-Ring (3.8*1.9)
21	ARQP380M-21	Knob	49	ARQP380M-49	O-Ring (6.5*1.5)
22	ARQP380M-22	Thread Ring Gear	50	ARQP380-51	Spring Pin (2.5*6L)
23	ARQP380M-23	Idler Gear (3)	51	ARQP380-52	Spring Pin (2*12L)
24	ARQP380M-24	Needle Bearing (HK0910)	52	AGQP50M-39	Damping Material
25	ARQP380M-25	Ratchet Housing	53	ARQP380M-53	Ball Bearing (689ZZ)
26	ARQP380M-26	Crank Shaft	54	ARQP380M-54	Rubber Grip
27	ARQP380M-27	Idler Gear Plate	55	ARQP380M-55	Rubber Hat
28	ARQP380M-28	Drive Bushing			