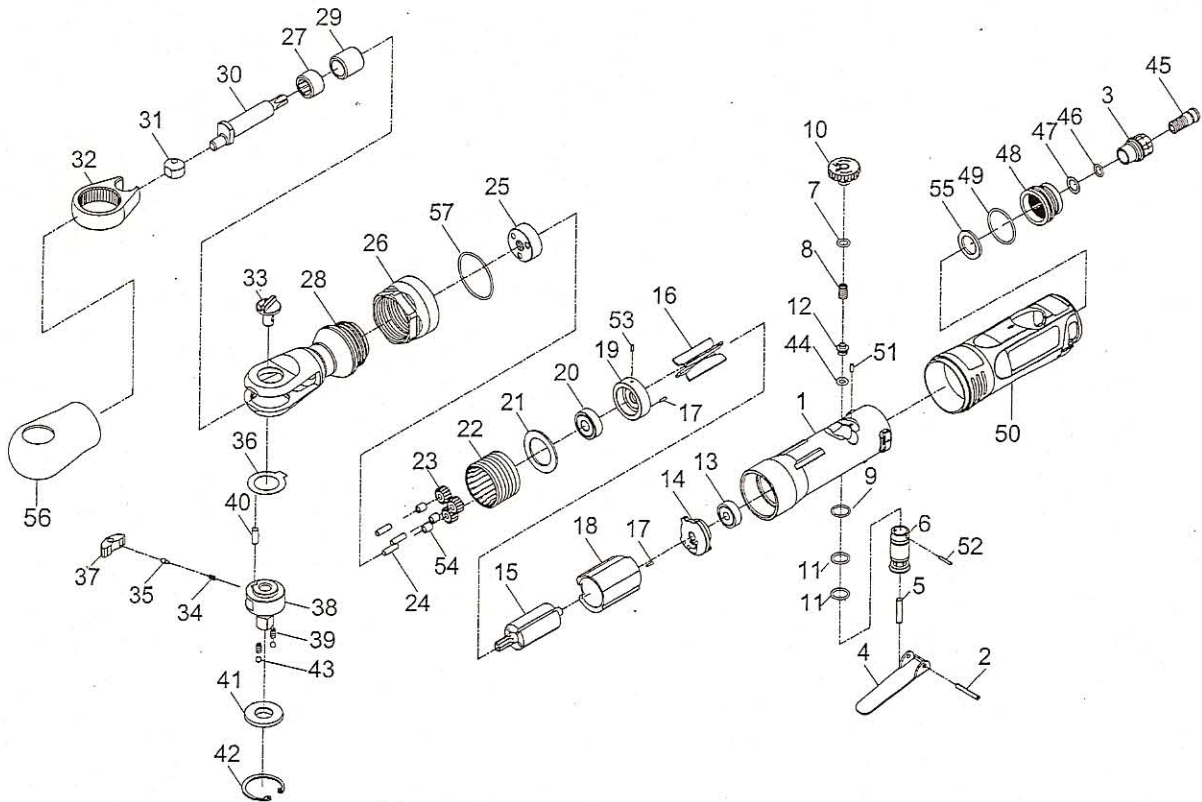


PARTS BREAKDOWN FOR 3/8" STAND RATCHET WRENCH - MODEL ARQP380



Index No.	Parts No.	Description	Index No.	Parts No.	Description
1	ARQP380-01	Housing	30	ARQP380-30	Crank Shaft
2	ARQP380-02	Spring Pin (Ø3×20L)	31	ARQP380-31	Drive Bushing
3	ARQP380-03	Air Inlet	32	ARQP380-32	Yoke
4	ARQP380-04	Throttle lever	33	ARQP380-33	Reverse Button
5	ARQP380-05	Throttle Valve	34	ARQP380-34	Spring
6	ARQP380-06	Bushing	35	ARQP380-35	Lock Pin
7	ARQP380-07	O-Ring (6.5×1.5)	36	ARQP380-36	Washer
8	ARQP380-08	Spring	37	ARQP380-37	Ratchet Pawl
9	ARQP380-09	O-Ring (11.4×1.25)	38	ARQP380-38	Ratchet Anvil 3/8"
10	ARQP380M-21	Knob	39	ARQP380-39	Spring (2)
11	ARQP380-11	O-Ring(2) (10.7×1.5)	40	ARQP380-40	Pin (Ø4.5×12.7L)
12	ARQP380-12	Throttle Valve	41	ARQP380-41	Thrust Washer
13	AGQP50M-13	Ball Bearing (696ZZ)	42	ARQP380-42	Retainer Ring (RTW-31.5)
14	ARQP380-14	Rear End Plate	43	ARQP380-43	Steel Ball (2) (5/32")
15	ARQP380-15	Rotor	44	AS20-7	O-Ring (3.8X1.9)
16	ARQP380-16	Rotor Blade(4)	45	ARQP380-45	Fixed Shaft
17	AD1400-17	Pin(2) (Ø1.5×6L)	46	ARQP380-46	O-Ring (7.5×1.5)
18	ARQP380-18	Cylinder	47	AGQP50M-38	Washer
19	ARQP380-19	Front End Plate	48	ARQP380-48	Deflector
20	AD3800AH-20	Ball Bearing (608ZZ)	49	ARQP380-49	O-Ring (26.7×1.78)
21	ARQP380-21	Washer	50	ARQP380-50	Grip
22	ARQP380-22	Thread Ring Gear	51	ARQP380-51	Spring Pin (2.5×6L)
23	ARQP380-23	Idler Gear (3)	52	ARQP380-52	Spring Pin (2×12L)
24	AD54025	Idler Gear Pin (3) (Ø4×13.8L)	53	AG200-17	Spring Pin (2×5L)
25	ARQP380-25	Idler Gear Plate	54	AD54024	Bushing (3)
26	ARQP380-26	Clamp Nut	55	ARQP380-55	Damping Material
27	ARQP380-27	Needle Bearing	56	ARQP380-56	Rubber Hat
28	ARQP380-28	Ratchet Housing	57	ARQP380-57	O-Ring (29.4×3.1)
29	ARQP380-29	Bushing			