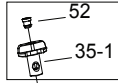
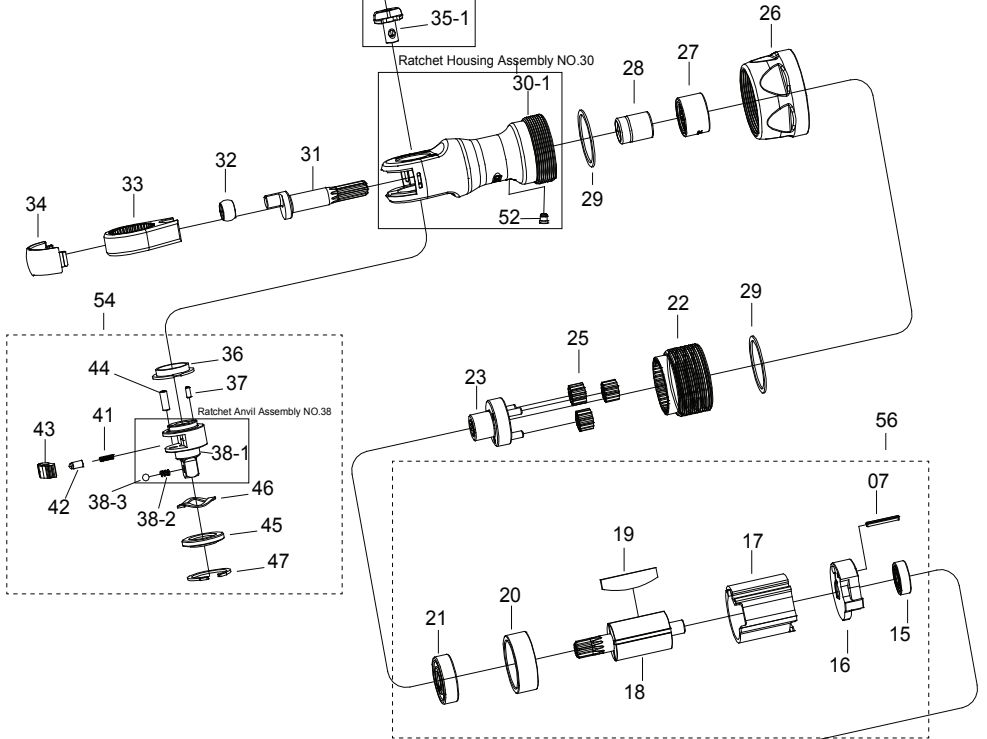
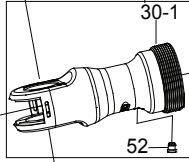


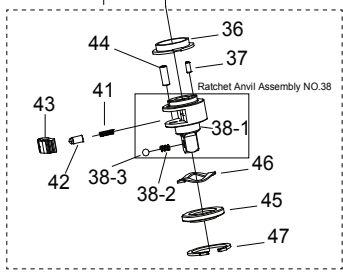
Reverse Knob Assemblyn NO.35



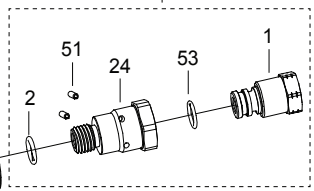
Ratchet Housing Assembly NO.30



Ratchet Anvil Assembly NO.38



55



ITEM #	PART #	DESCRIPTION	QTY
	ARM538	3/8" Mini Air Ratchet	
3	31Y200070	Exhaust Deflector	1
5	31H200017	Motor Housing	1
6	31P200001	Air Regulator	1
7	31R200238	Spring Pin	1
10	31P200002	Throttle Valve Plunger	1
13	31P200003	Air Regulator	1
22	31G200022	Ring Gear	1
23	31G200023	Work Spindle	1
25	31G200024	Planet Gear	3
26	31H200018	Coupling Nut	1
27	31R200243	Ball Bearing	1
28	31R200207	Bushing	1
29	31R200244	Spacer	2
31	31D200050	Crank shaft	1
32	31D200051	Drive Bushing	1
33	31D200052	Ratchet Yoke	1
34	31Y200071	Ratchet Housing Cover	1
36	31R200245	Thrust Washer	1
45	31R200252	Thrust Washer	1
46	31R200253	Wave Washer	1
47	31R200254	Retaining Ring	1
48	31P200005	Trigger	1
49	31R200255	Spring Pin	1
50	31H200020	Rubber Grip	1
35	31Y100000	REVERSE KNOB ASSEMBLY	1
35-1	Pre-Assembled	Reverse Knob	1
52	Pre-Assembled	Grease Fitting	1
38	31D100027	RATCHET ANVIL ASSEMBLY	1
38-1	Pre-Assembled	Ratchet Anvil	1
38-2	Pre-Assembled	Spring	1
38-3	Pre-Assembled	Steel Ball	1
30	31H100022	RATCHET HOUSING	1
30-1	Pre-Assembled	Ratchet Housing	1
52	Pre-Assembled	Grease Fitting	1

ITEM #	PART #	DESCRIPTION	QTY
54	31K100105	3/8" RATCHET ANVIL KIT	1
38	Pre-Assembled	Ratchet Anvil Assembly	1
36	loose	Thrust Washer	1
37	Pre-Assembled	Spring Pin	1
41	Pre-Assembled	Ratchet Spring	1
42	Pre-Assembled	Ratchet Lock Pin	1
43	Pre-Assembled	Ratchet Pawl	1
44	Pre-Assembled	Pawl Retaining Pin	1
45	loose	Thrust Washer	1
46	loose	Wave Washer	1
47	loose	Retaining Ring	1
55	31K100108	INLET FOR ARM	1
1	Pre-Assembled	Air Inlet	1
2	Pre-Assembled	O-Ring	1
24	Pre-Assembled	Air inlet connector	1
51	Pre-Assembled	Spring Pin	2
53	Pre-Assembled	O-Ring	1
56	31K100110	MOTOR FOR ARP & ARM	1
7	Pre-Assembled	Spring Pin	1
15	Pre-Assembled	Ball Bearing	1
16	Pre-Assembled	Rear End Plate	1
17	Pre-Assembled	Cylinder	1
18	Pre-Assembled	Rotor	1
19	Pre-Assembled	Rotor Blade	4
20	Pre-Assembled	Front End Plate	1
21	Pre-Assembled	Ball Bearing	1
	31K100112	TUNE-UP KIT	1
4		O-Ring	1
8		O-Ring	1
9		Spring	1
11		O-Ring	1
12		O-Ring	1
14		O-Ring	3