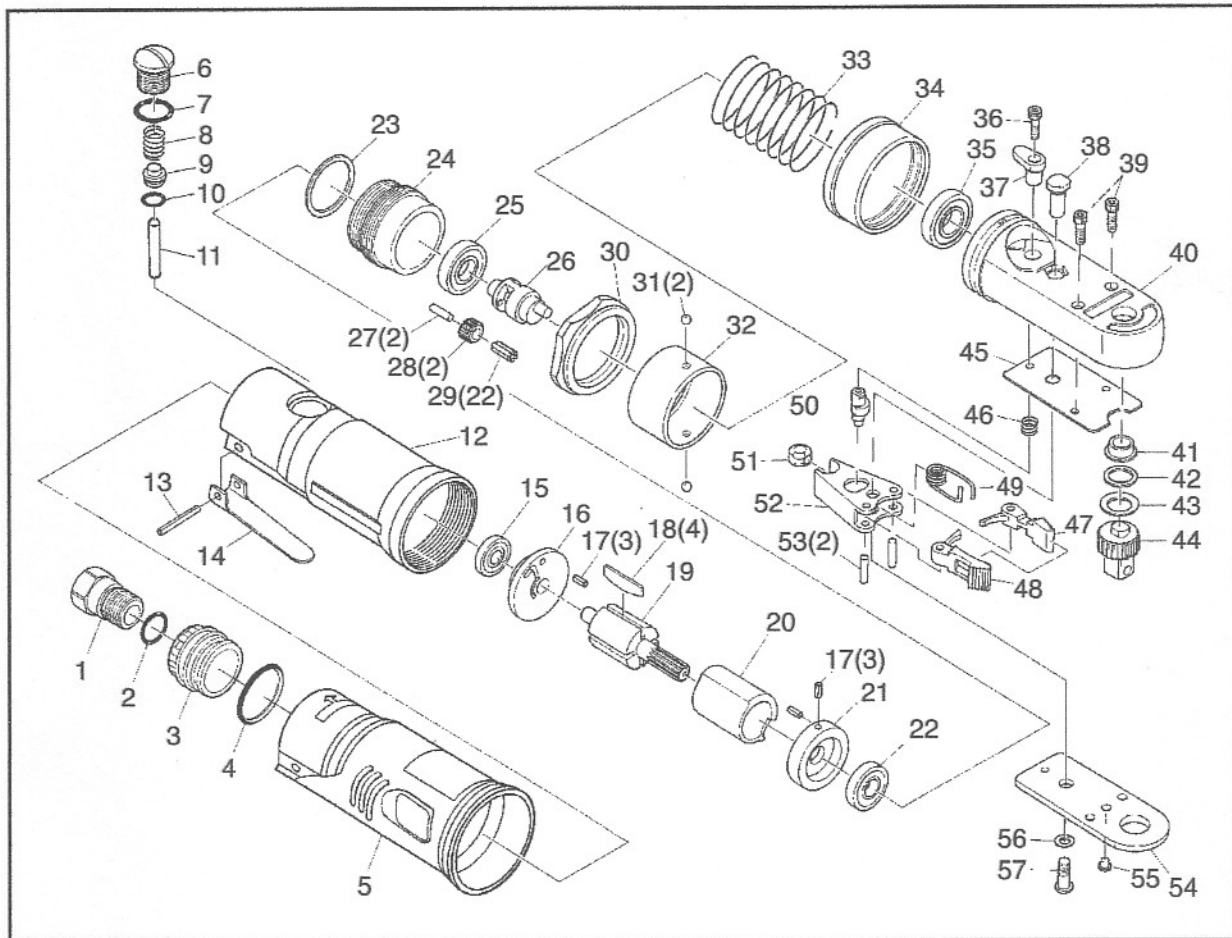


3/8" SQ.DR. SEALED RATCHET with ROTATING HEAD

Model #AR 778RH



PARTS LIST:

Fig.	Parts No.	Description
1	AR778A-01	Inlet Bushing
2	AD527-30	O-Ring
3	AR778A-56	Exhaust Sleeve
4	AR250-05	O-Ring
5	AR778RH-05	Handle Cover
6	AR133-05	Valve Screw
7	AR133-06	Valve Screw O-Ring
8	AR778-08	Throttle Valve Spring
9	AR133-08	Throttle Valve
10	AR133-09	Throttle Valve O-Ring
11	AR778-11	Throttle Plunger
12	AR778A-12	Motor Housing
13	AR1776-07	Spring Pin
14	AR1776-11	Throttle Lever
15	AR760-12	Ball Bearing
16	AR778-18	Rear End Plate
17	AR760-14	Spring Pin(3)
18	AD527-20	Rotor Blade(4)
19	AR747-51	Rotor
20	ADG210-14	Cylinder
21	AR778-23	Front End Plate
22	ADG200-20	Ball Bearing
23	AR133-20	Internal Gear Spacer
24	AR778RH-24	Internal Gear
25	AR133-21	Ball Bearing
26	AR1776-51	Planet Carrier
27	AR133-25	Planet Gear Pin(2)
28	AR134-26	Planet Gear(2)
29	AR134-27	Needle Roller(22)
30	AR778RH-30	Lock Ring
31	AR133-43	Steel Ball(2)
32	AR778RH-32	Ratchet Housing Receiver
33	AR778RH-33	Spring
34	AR778RH-34	Slide Ring
35	AR1776-54	Ball Bearing
36	AR1776-29	Torx Head Screw
37	AR1776-28	Reverse Switch
38	AR1776-30	Pivot Post
39	AR1776-31	Soc. Head Screw(2)
40	AR778RH-40	Steel Housing
41	AR1776-43	Bushing
42	AR1776-44	Friction Washer
43	AR1776-45	Belleville Washer
44	AR1776-46	Square Drive Ass'y
45	AR1776-34	Wear Plate
46	AR1776-35	Spring
47	AR1776-41	Pawl(Single)
48	AR1776-42	Pawl(Double)
49	AR1776-40	Torsion Spring
50	AR1776-38	Reverse Cam
51	AR1776-36	Drive Bushing
52	AR1776-37	Drive Link
53	AR1776-39	Dowel Pin(2)
54	AR1776-47	Cover Plate
55	AR1776-49	Grease Fitting
56	AR1776-48	Washer
57	AR1776-50	Button Head Screw