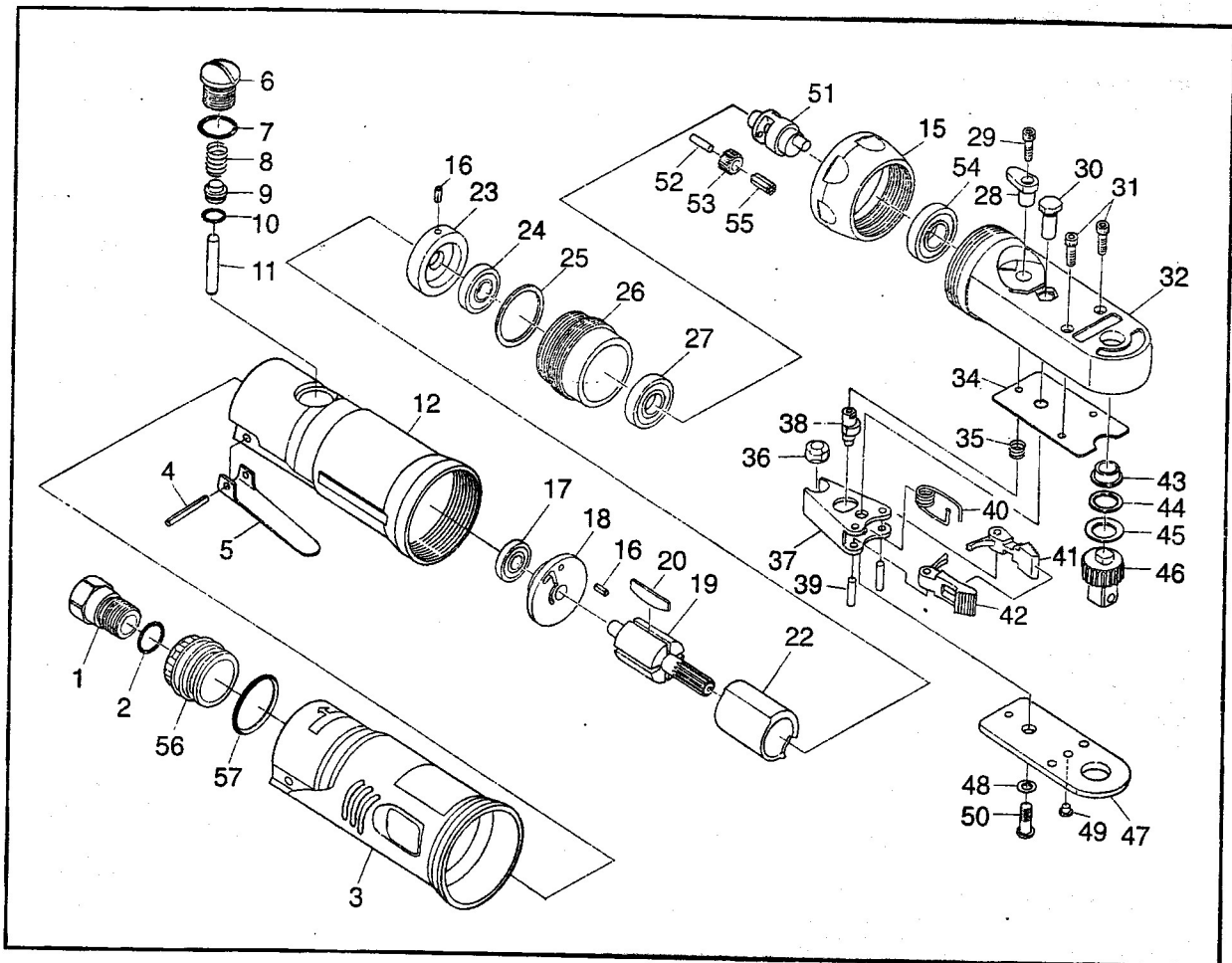


# 3/8" SQ. DRIVE RATCHET WRENCH

## Model #AR 778A



### PARTS LIST:

Fig.	Parts No.	Description
1	AR778A-01	Inlet Bushing
2	AD527-30	O-Ring
3	AR778A-03	Handle Cover
4	AR1776-07	Spring Pin
5	AR1776-11	Throttle Lever
6	AR133-05	Valve Screw
7	AR133-06	Valve Screw O-Ring
8	AR778-08	Throttle Valve Spring
9	AR133-08	Throttle Valve
10	AR133-09	Throttle Valve O-Ring
11	AR778-11	Throttle Plunger
12	AR778A-12	Motor Housing
15	AR1776-15	Clamp Nut
16	AR760-14	Spring Pin(3)
17	AR760-12	Ball Bearing
18	AR778-18	Rear End Plate
19	AR747-51	Rotor
20	AD527-20	Rotor Blade(4)
22	ADG210-14	Cylinder
23	AR778-23	Front End Plate
24	ADG200-20	Ball Bearing
25	AR133-20	Internal Gear Spacer
26	AR1776-26	Internal Gear
27	AR133-21	Ball Bearing
28	AR1776-28	Reverse Switch
29	AR1776-29	Torx Head Screw
30	AR1776-30	Pivot Post
31	AR1776-31	Soc. Head Screw(2)
32	AR1776-32	Steel Housing
34	AR1776-34	Wear Plate
35	AR1776-35	Spring
36	AR1776-36	Drive Bushing
37	AR1776-37	Drive Link
38	AR1776-38	Reverse Cam
39	AR1776-39	Dowel Pin(2)
40	AR1776-40	Torsion Spring
41	AR1776-41	Pawl(Single)
42	AR1776-42	Pawl(Double)
43	AR1776-43	Bushing
44	AR1776-44	Friction Washer
45	AR1776-45	Belleville Washer
46	AR1776-46	Square Drive Ass'y
47	AR1776-47	Cover Plate
48	AR1776-48	Washer
49	AR1776-49	Grease Fitting
50	AR1776-50	Button Head Screw
51	AR1776-51	Planet Carrier
52	AR133-25	Planet Gear Pin(2)
53	AR134-26	Planet Gear(2)
54	AR1776-54	Ball Bearing
55	AR134-27	Needle Roller(22)
56	AR778A-56	Exhaust Sleeve
57	AR250-05	O-Ring