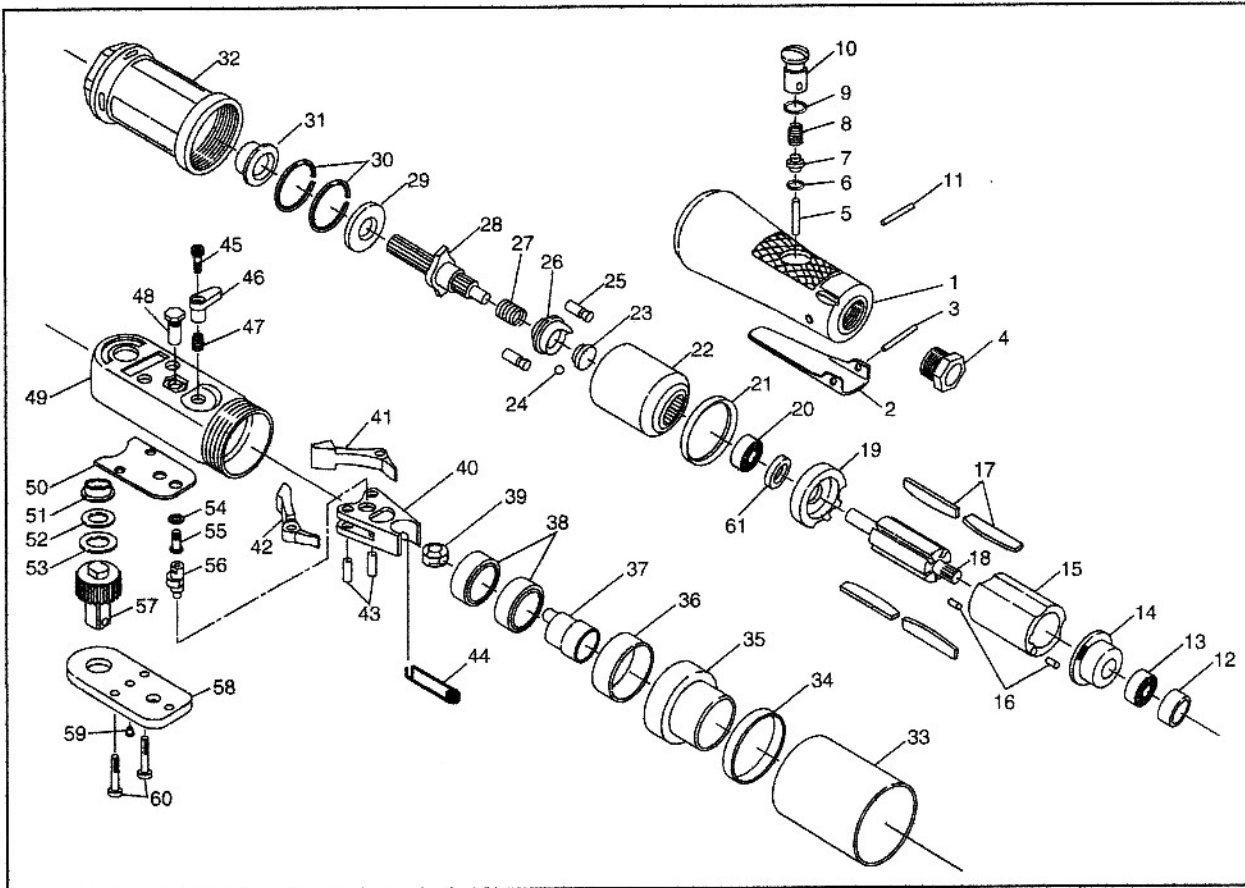


1/2" SQ. DR. SEALED IMPACT RATCHET

Model #AR 312RP



PARTS LIST:

Fig	Parts No.	Description	Fig	Parts No.	Description
1	AR175RP-01	Motor Housing	32	AR338RP-32	Clutch Housing
2	AR133-04	Throttle Lever	33	AR175-61	Pipe
3	AR133-02	Lever Pin	34	AR338RP-34	Lock Ring
4	AW170-45	Inlet Bushing	35	AR338RP-35	Nipple
5	AR760-07	Throttle Plunger	36	AR338RP-36	Bearing Spacer
6	AR133-09	Throttle Valve O-Ring	37	AR338RP-37	Crank Shaft
7	AR133-08	Throttle Valve	38	AR1776-54	Ball Bearing (2)
8	AR133-07	Throttle Valve Spring	39	AR1776-36	Drive Bushing
9	AR133-06	Valve Screw O-Ring	40	AR1776-37	Drive Link
10	AR175-04	Regulator	41	AR1776-41	Pawl (Single)
11	AW145-016	Throttle Lever Pin	42	AR1776-42	Pawl (Double)
12	AR133-48	Bearing Cap	43	AR1776-39	Dowel Pin (2)
13	AR133-11	Rear Rotor Ball Bearing	44	AR1776-40	Torsion Spring
14	AR175-14	Rear End Plate	45	AR1776-29	Torx Head Screw
15	AR175-17	Cylinder	46	AR1776-28	Reverse Switch
16	AR760-14	Dowel Pin (2)	47	AR1776-35	Spring
17	AD527-20	Rotor Blade (5)	48	AR1776-30	Rivot Post
18	AR175-15	Rotor	49	AR1776-32	Steel Housing
19	AR175-19	Front End Plate	50	AR1776-34	Wear Plate
20	AR175-20	Front Rotor Ball Bearing	51	AR1776-43	Bushing
21	AR175-21	Lock Spacer	52	AR1776-44	Friction Washer
22	AR175-22	Hammer Cage	53	AR1776-45	Belleville Washer
23	AW140-36	Pilot Cam Ball	54	AR1776-48	Washer
24	AW139A-18	Cam Ball	55	AR1776-50	Button Head Screw
25	AW139A-20	Anvil Hammer Pin (2)	56	AR1776-38	Reverse Cam
26	AR175-23	Cam Hammer	57	AR312RP-57	1/2" Square Drive Ass'y
27	AR175-26	Cam Release Spring	58	AR312RP-58	Cover Plate
28	AR338RP-28	Spindle	59	AR1776-49	Grease Fitting
29	AR175-29	Anvil Spacer	60	AR1776-31	Soc. Head Screw (2)
30	AR175-62	Retaining Ring (2)	61	AR175RP-63	Oil Seal
31	AR175-30	Housing Bushing			