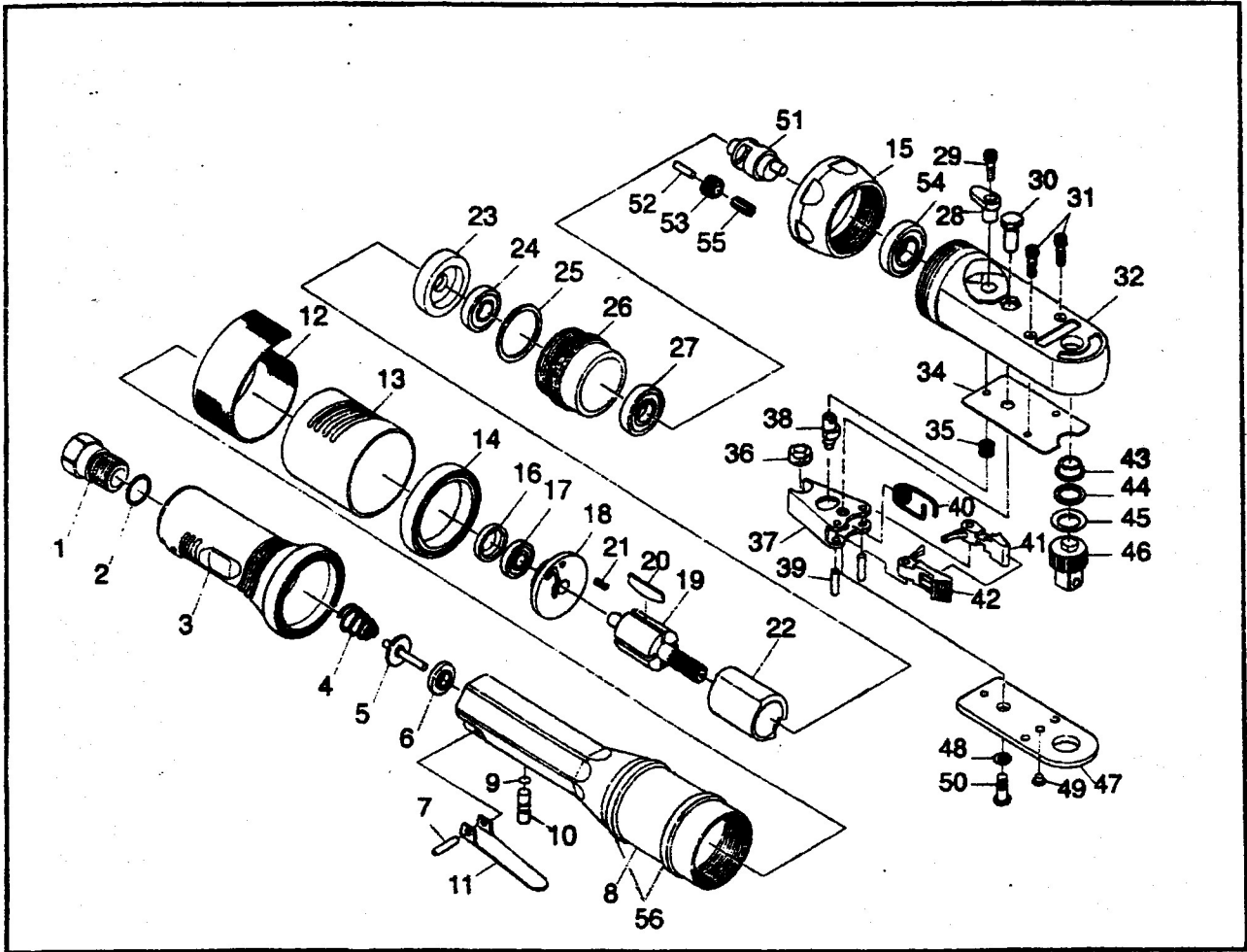


3/8" SQ. DRIVE RATCHET WRENCH

Model #AR 1776



PARTS LIST:

Fig.	Parts No.	Description
1	AW378-55	Inlet Bushing
2	AD527-32	O-Ring
3	AR1776-3	Handle Cover
4	AR1776-4	Valve Spring
5	AW375-15	Valve
6	AW375-14	Valve Seat
7	AR1776-7	Spring Pin
8	AR1776-8	Motor Housing
9	AW145-008	Push Pin O-Ring
10	AR1776-10	Valve Shaft
11	AR1776-11	Throttle Lever
12	AR1776-12	Exhaust Screen
13	AR1776-13	Exhaust Cover
14	AR1776-14	Band
15	AR1776-15	Clamp Nut
16	AR133-48	Bearing Cap
17	ADG210-11	Ball Bearing
18	AR1776-18	Rear End Plate
19	AR747-51	Rotor
20	AD527-20	Rotor Blade(4)
21	AS717-19	Spring Pin
22	ADG210-14	Cylinder
23	AR747-18	Front End Plate
24	ADG200-20	Ball Bearing
25	AR133-20	Internal Gear Spacer
26	AR1776-26	Internal Gear
27	AR133-21	Ball Bearing
28	AR1776-28	Reverse Switch
29	AR1776-29	Torx Head Screw
30	AR1776-30	Pivot Post
31	AR1776-31	Soc. Head Screw(2)
32	AR1776-32	Steel Housing
34	AR1776-34	Wear Plate
35	AR1776-35	Spring
36	AR1776-36	Drive Bushing
37	AR1776-37	Drive Link
38	AR1776-38	Reverse Cam
39	AR1776-39	Dowel Pin(2)
40	AR1776-40	Torsion Spring
41	AR1776-41	Pawl(Single)
42	AR1776-42	Pawl(Dowble)
43	AR1776-43	Bushing
44	AR1776-44	Friction Washer
45	AR1776-45	Belleville Washer
46	AR1776-46	Square Drive Ass'y
47	AR1776-47	Cover Plate
48	AR1776-48	Washer
49	AR1776-49	Grease Fitting
50	AR1776-50	Button Head Screw
51	AR1776-51	Planet Carrier
52	AR133-25	Planet Gear Pin(2)
53	AR134-26	Planet Gear(2)
54	AR1776-54	Ball Bearing
55	AR134-27	Needle Roller(22)
56	AR747-09	O-Ring (2)