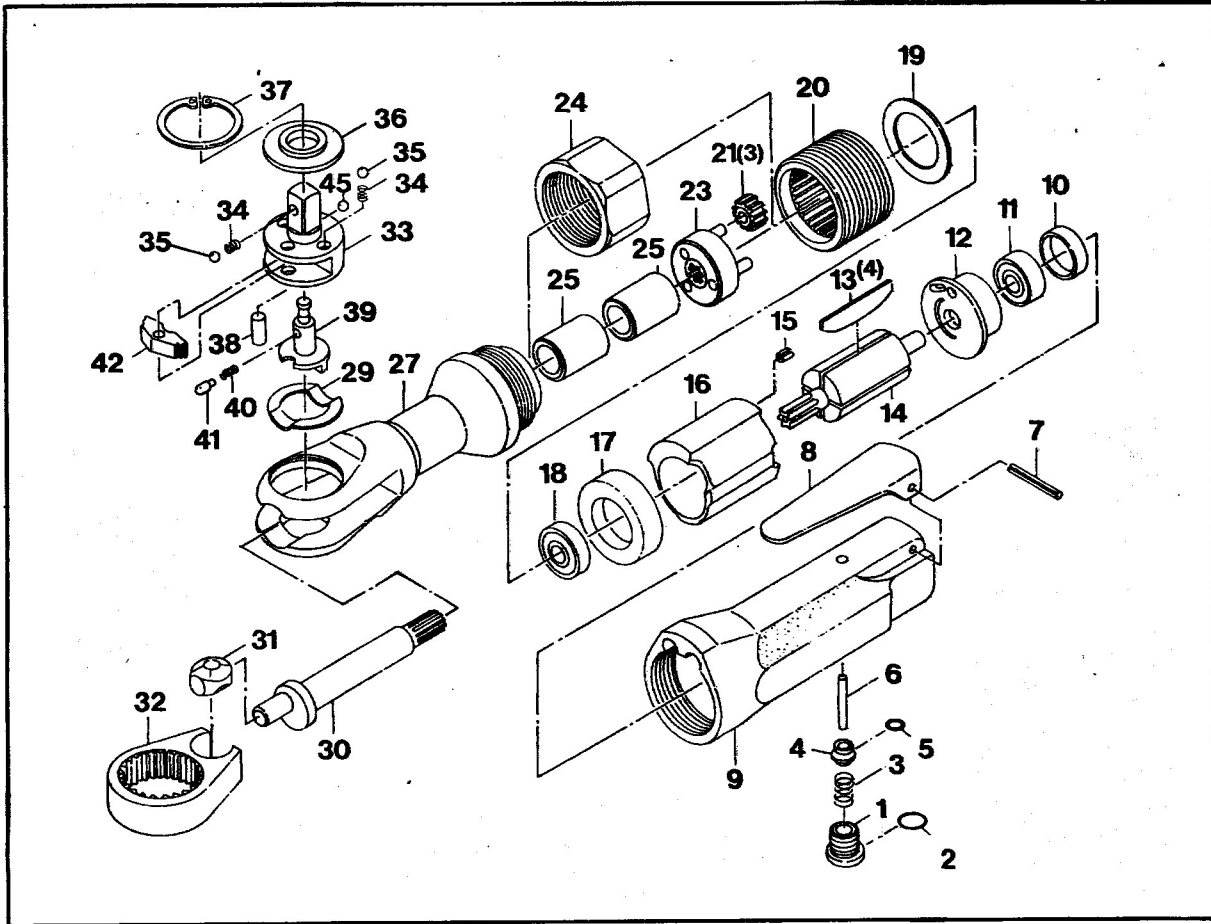


3/8" SQ. DRIVE RATCHET

Model #AR 154



PARTS LIST:

| Fig. | Parts No. | Description |
|------|-----------|--------------------------|
| 1 | AR133-05 | Valve Screw |
| 2 | AR133-06 | Valve Screw O-Ring |
| 3 | AR133-07 | Throttle Valve Spring |
| 4 | AR133-08 | Throttle Valve |
| 5 | AR133-09 | Throttle Valve O-Ring |
| 6 | AR133-10 | Throttle Plunger |
| 7 | AR133-02 | Throttle Lever Pin |
| 8 | AR133-04 | Throttle Lever |
| 9 | AR154-01 | Motor Housing |
| 10 | AR133-48 | Bearing Cap |
| 11 | ADG210-11 | Rear Rotor Ball Bearing |
| 12 | AR154-12 | Rear End Plate |
| 13 | AR133-14 | Rotor Blade (4) |
| 14 | AR144-14 | Rotor |
| 15 | AR133-15 | Dowel Pin |
| 16 | AR133-16 | Cylinder |
| 17 | AR154-17 | Front End Plate |
| 18 | AR133-18 | Front Rotor Ball Bearing |
| 19 | AR133-20 | Internal Gear Spacer |
| 20 | AR144-20 | Internal Gear |
| 21 | AR144-21 | Planet Gear (3) |
| 23 | AR144-23 | Planet Cage with Pin |
| 24 | AR133-19 | Clamp Nut |
| 25 | AR133-29 | Crankshaft Bushing (2) |
| 27 | AR144-27 | Ratchet Housing |
| 29 | AR133-50 | Wear Washer |
| 30 | AR144-30 | Crank Shaft |
| 31 | AR133-33 | Drive Bushing |
| 32 | AR133-34 | Ratchet Yoke |
| 33 | AR133-41 | Ratchet Anvil |
| 34 | AR133-42 | Detent Spring (2) |
| 35 | AR133-43 | Detent Ball (2) |
| 36 | AR133-44 | Thrust Washer |
| 37 | AR133-45 | Anvil Retaining Ring |
| 38 | AR133-31 | Ratchet Pawl Pin |
| 39 | AR133-39 | Reverse Button |
| 40 | AR133-38 | Ratchet Spring |
| 41 | AR133-39 | Lock Pin |
| 42 | AR133-40 | Ratchet Pawl |
| 45 | AR133-37 | Steel Ball |

TUNE-UP KIT AR144-TK

Incl: Index No's 2, 5, 13(4), 29, 31, 34(2), 35(2), 36, 37, 38, 40, 41, 42, 45

REPAIR KIT AR144-RK

Incl: Index No's 2, 3, 5, 13(4), 29, 31, 33, 34(2), 35(2), 36, 37, 38, 39, 40, 41, 42, 45

ANVIL KIT AR133-AK

Incl: Index No's 29, 33, 34(2), 35(2), 36, 37, 38, 39, 40, 41, 42, 45