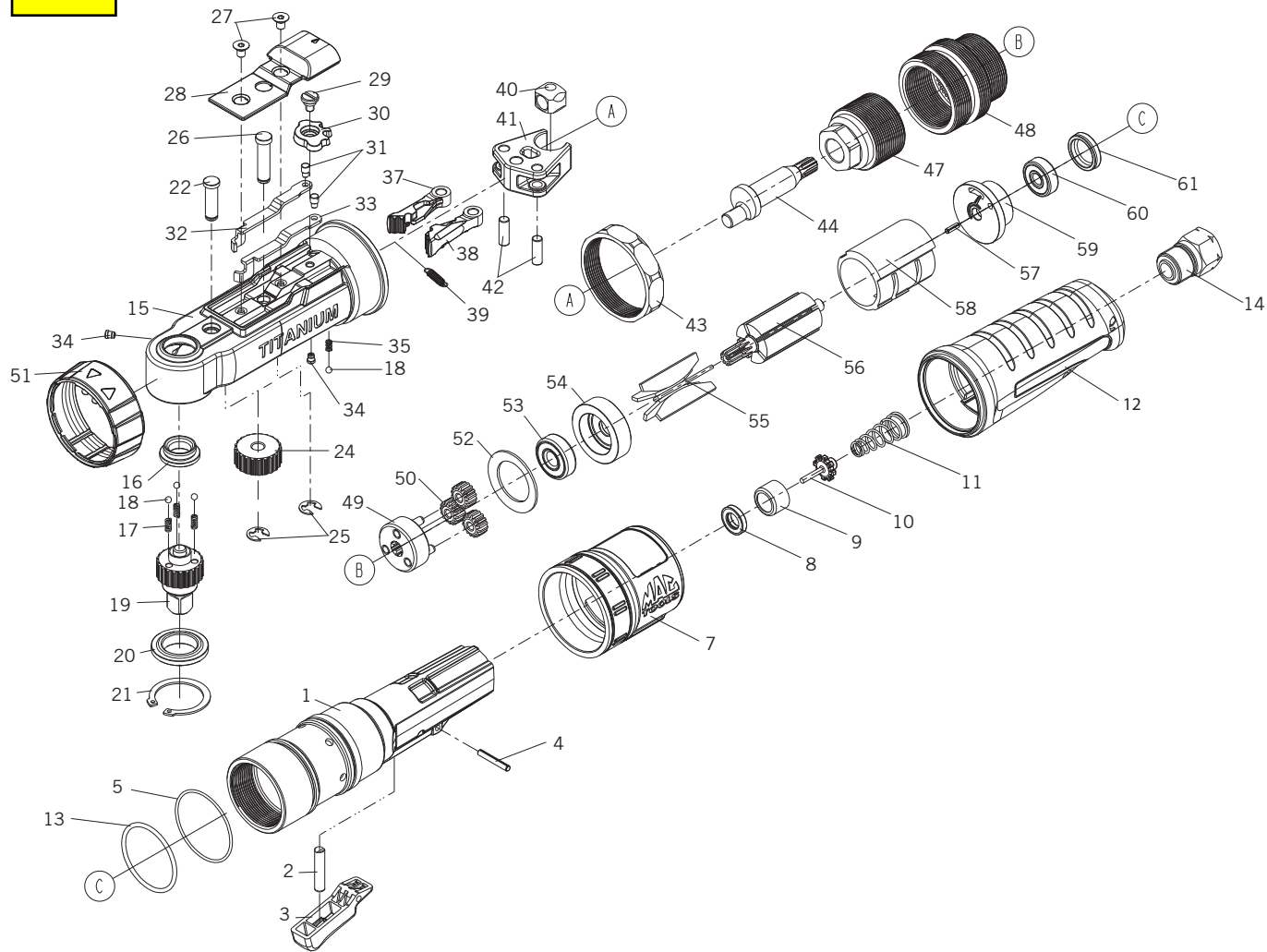


AR038B



ITEM #	PART #	DESCRIPTION	QTY
	AR038B	3/8" Ratchet Wrench	
	AR050B	1/2" Ratchet Wrench	
1	30H200451	MOTOR HOUSING	1
2	30Y201045	VALVE PIN	1
3	30H200394	THROTTLE LEVER	1
4	30R200302	SPRING PIN	1
7	30H200390	HOUSING EXHAUST DEFLECTOR	1
9	30Y201046	BUSHING	1
10	30Y200863	TIP VALVE	1
11	30Y201048	CONICAL SPRING	1
12	30H200389	GRIP-MAC	1
14	30Y201049	AIR INLET	1
15	30H200391	RATCHET HOUSING	1
16	30Y201050	ANVIL COLLAR A	1
17	30R200305	SPRING	3
18	30R200041	BALL	4
19	30G100010	ANVIL ASSEMBLY-3/8"	1
		BALL	1
		ANVIL PIN	1
		SPRING	2
19	30G100011	ANVIL ASSEMBLY-1/2"	1
		BALL	1
		ANVIL PIN	1
		SPRING	2
20	30Y201051	ANVIL COLLAR B	1
21	30R200306	RETAINING RING	1
22	30Y201052	GEAR PIN	1
24	30G200148	GEAR	1
25	30R200308	E-RING	2
26	30Y201053	YOKE PIN	1
27	30R200309	HEX. BOLT	2
28	30H200392	RATCHET HOUSING CAP	1

ITEM #	PART #	DESCRIPTION	QTY
29	30Y201054	REVERSE VALVE BOLT	1
30	30Y201055	REVERSE VALVE	1
31	30Y201056	ADJUSTING ROD PINS	2
32	30Y201057	RIGHT ADJUSTING ROD	1
33	30Y201058	LEFT ADJUSTING ROD	1
34	30R200017	GREASE FITTING	2
35	30R200314	SPRING	1
37	30G200149	RIGHT RATCHET PAWL	1
38	30G200150	LEFT RATCHET PAWL	1
39	30Y201059	SPRING	1
40	30D200160	DRIVE BUSHING	1
41	30D200161	YOKE	1
42	30Y201060	PAWL PINS	2
43	30Y201061	LOCK RING NUT	1
44	30D200162	MOTOR SHAFT	1
47	30Y201064	CONNECTING COLLAR	1
48	30G200151	GEAR CONNECTING COLLAR	1
49	30G100012	PLANET CAGE	1
		PLANET PIN	3
50	30G200152	PLANET GEAR	3
51	30H200393	REVERSE RING	1
52	30Y201065	WASHER	1
53	30R200025	BEARING	1
54	30M200090	FRONT PLATE	1
56	30M200092	ROTOR	1
57	30R200310	SPRING PIN	1
58	30M200093	CYLINDER	1
59	30M200094	REAR END PLATE	1
60	30R200311	BEARING	1
61	30Y201066	BEARING CAP	1
	30Y100006	SOFT PARTS KIT	
5		O- RING	1
8		SEAL	1
13		O-RING	1
55		BLADES	5