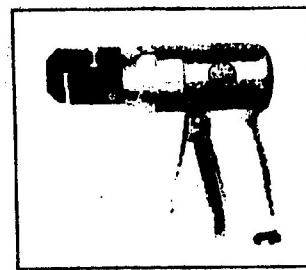
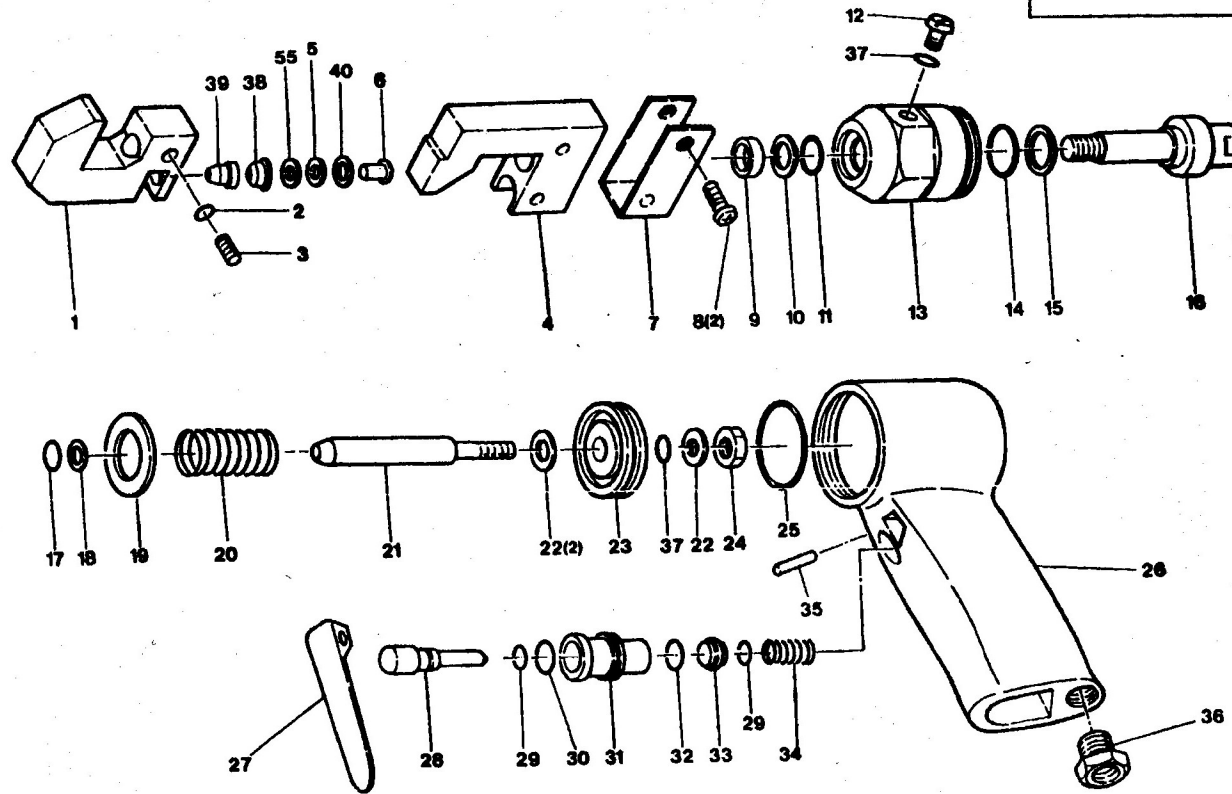


APF600A PUNCH AND FLANGE TOOL

—5/16" (8mm) Punch Type—

AIR TOOLS

EXPLODED VIEW



INDEX	PART NO.	DESCRIPTION	QTY.
1	APF600-01A	Clamp A	1
2	APF600-02	Brass Seal	1
3	APF600-03	Clamp A Set Screw	1
4	APF600-04A	Clamp B	1
5	APF600-05A	Spring Washer (Thin)	10
6	APF600-06A	Punch Pin	1
7	APF600-07A	Guard	1
8	APF600-08	Guard Screw	2
9	APF600-09	Housing Oil Seal	1
10	APF600-10	Back Up Ring (P-12)	1
11	APF600-11	Back Up Ring (P-12)	1
12	AW136-49	Oil Plug	1
13	APF600-13	Piston Housing	1
14	APF600-14	Back Up O-Ring (P-28)	1
15	APF600-15	Back Up Ring (P-28)	1
16	APF600-16	Hydraulic Piston	1
17	AR133-06	Back Up O-Ring (P-8)	1
18	APF600-18	Back Up Ring (P-8)	1
19	APF600-19	Piston Spacer	1
20	APF600-20	Piston Rod Spring	1
21	APF600-21	Piston Rod	1
22	APF600-22	Piston Rod Washer	2
23	APF600-23	Air Piston	1
24	APF600-24	Piston Rod Nut	1
25	APF600-25	Piston O-Ring	1
26	APF600-26	Body	1
27	AR134-05	Throttle Lever	1
28	APF600-28	Throttle Valve Pin	1
29	AW145-007	Throttle Valve O-Ring	2
30	AD527-30	Throttle Bushing O-Ring	1
31	APF600-31	Throttle Bushing	1
32	AR760-03	Body Seal O-Ring	1
33	AR133-08	Throttle Valve	1
34	AR133-07	Throttle Valve Spring	1
35	ADG200-10	Throttle Lever Pin	1
36	AR134-01	Inlet Bushing	1
37	AR134-08	Oil Plug O-Ring	1
38	APF600-38A	Upper Punch Bushing	1
39	APF600-39A	Lower Punch Bushing	1
40	APF600-40A	Washer	1
55	APF600-55	Spring Washer (Thick)	2

The types and specifications may be changed with or without notice.

PUNCH/DIE REPLACEMENT KIT APF600A-PD

Incl: Index No's 5(10), 6, 38, 39, 40,
55(2)

"WARNING"

1. Wear safety goggles when using this tool.
2. Use only approved hydraulic fluid.
3. Do not use this tool beyond rated capacity.
4. Disconnect tool when not in use.