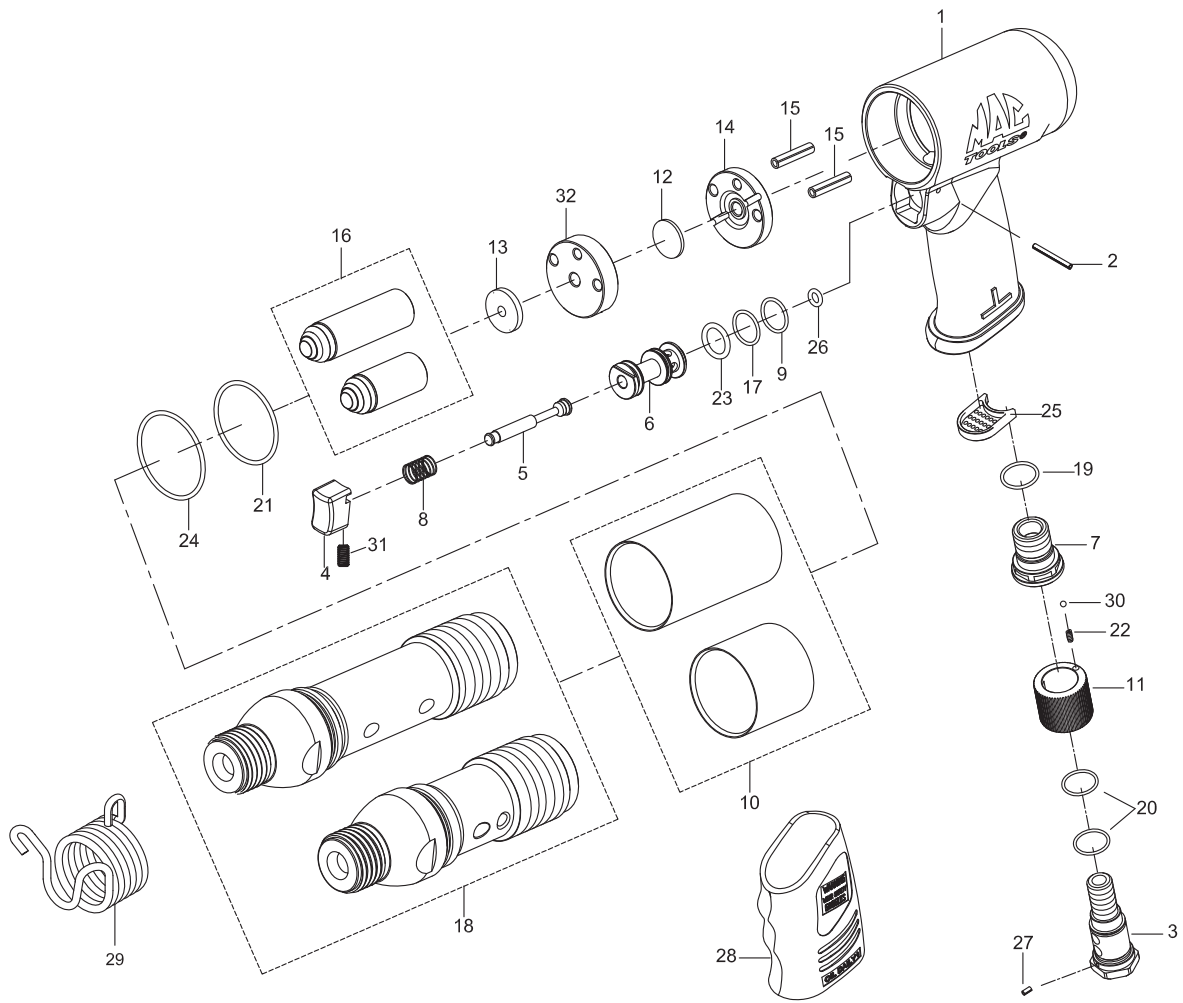


PARTS BREAKDOWN FOR AIR HAMMERS AH2009 & AH2010



Index No.	Parts No.	Description	Index No.	Parts No.	Description
1	AH2010-01	Motor Housing	17	AH2010-17	O-Ring (13.5x1.5)
2	AH2010-02	Spring Pin (2.5x24)	18	AH2010-18	Cylinder (Long Type)
3	AH2010-03	Air Inlet		AH2009-18	Cylinder (Short Type)
4	AH2010-04A	Trigger	19	AH2010-19	O-Ring (15.7x1.7)
5	AH2010-05	Valve Shaft	20	AH2010-20	O-Ring (2) (15.5x1.5)
6	AH2010-06	Valve Bushing	21	AH2010-21	O-Ring (35.5x2)
7	AH2010-07	Screw	22	AH2010-22	Spring
8	AH2010-08	Spring	23	AH2010-23	O-Ring (11.8x2.4)
9	AH2010-09A	O-Ring (11x2.2)	24	AH2010-24	O-Ring (40x2)
10	AH2010-10	Cylinder Sleeve (Long Type)	25	AH2010-25	Deflector
	AH2009-10	Cylinder Sleeve (Short Type)	26	AH2010-26	O-Ring (3.9x1.9)
11	AH2010-11	Regulator	27	AH2010-27	Spring Pin (2.5x4L)
12	AH2010-12A	Valve	28	AH2010-28	Grip (Long Type) (AH2010)
13	AH2010-13	Cylinder Washer		AH2009-28	Grip (Short Type) (AH2009)
14	AH2010-14A	Valve Cover	29	AH2010-29	Drawspring
15	AH2010-15A	Spring Pin (2) (5X24)	30	AH2010-30	Steel Ball (1/8")
16	AH2010-16	Piston (Long Type)	31	AH2010-31	Set Screw (M4x8L)
16	AH2009-16	Piston (Short Type)	32	AH2010-32A	Valve Case