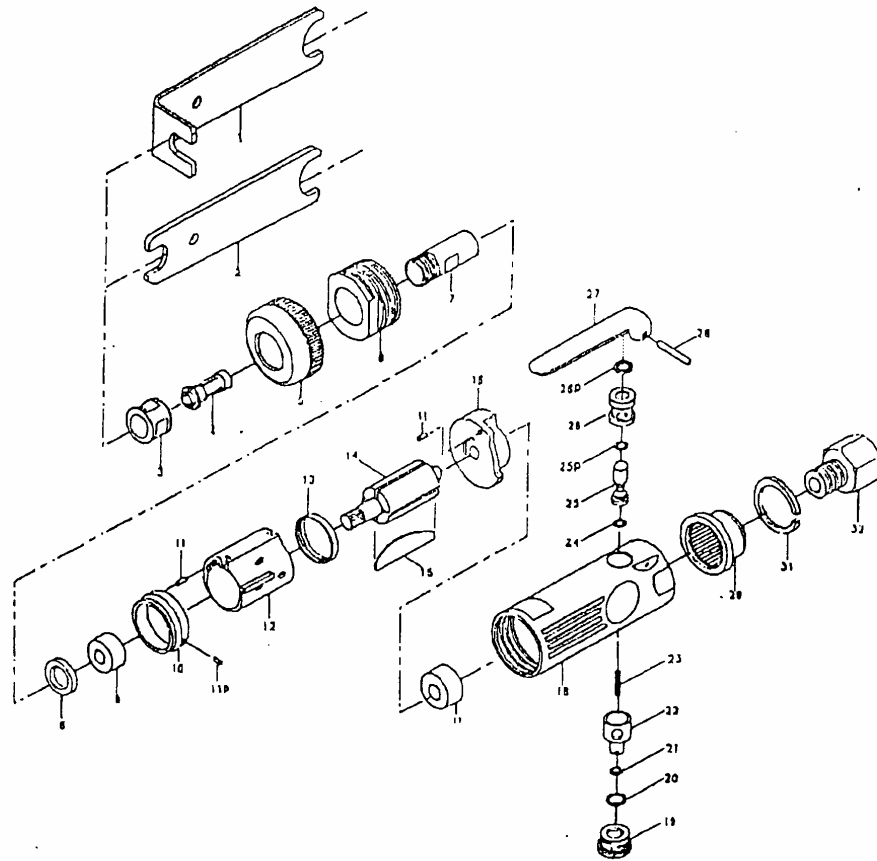


# AG25 MEDIUM DIE GRINDER



INDEX NO.	PARTS NO.	DESCRIPTION	QTY	INDEX NO.	PARTS NO.	DESCRIPTION	QTY
1	AG2501	ANGLE ENDED SPANNER	1	17	AG2517	BALL BEARING	1
2	AG2502	SPANNER	1	18	AG2518	MOTOR HOUSING	1
3	AG2503	COLLET	1	19	AG2519	VALVE SCREW	1
4	AG2504	COLLET NUT	1	20	AG2520	O-RING	1
5	AG2505	HOUSING CAP	1	21	AG2521	O-RING	1
6	AG2508	RETAINER	1	22	AG2522	AIR REGULATOR STEM	1
7	AG2507	SPINDLE	1	23	AG2523	SPRING	1
8	AG2508	WASHER	1	24	AG2524	O-RING	1
9	AG2509	BALL BEARING	1	25	AG2525	VALVE STEM	1
10	AG2510	FRONT END PLATE	1	25P	AG2525P	O-RING	1
11	AG2511	PIN	1	26	AG2526	VALVE BUSHING	1
11P	AG2511P	PIN	1			THROTTLE LEVER & PIN	
12	AG2512	CYLINDER	1	27	AG2527	THROTTLE LEVER	1
13	AG2513	BEARING SPACER	1	28	AG2528	THROTTLE LEVER PIN	1
14	AG2514	ROTOR	1	29	AG2529	EXHAUST SLEEVE	1
15	AG2515	ROTOR BLADE	4	31	AG2531	RING	1