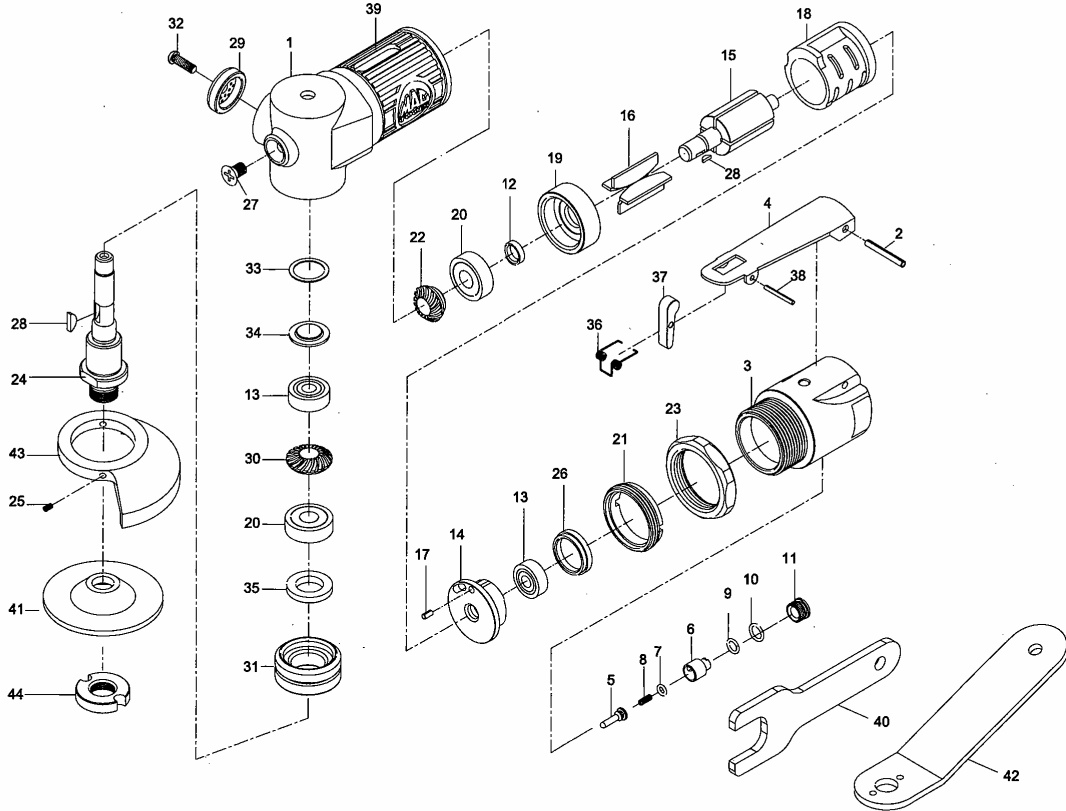


PARTS BREAKDOWN FOR 2" ANGLE GRINDER-MODEL AG200



Index No.	Parts No.	Description	Index No.	Parts No.	Description
1	AG200-01	Housing	23	AG200-23	Lock Ring
2	AD3800AH-02	Spring Pin (3*24L)	24	AG200-24	Spindle
3	AG200-03	Valve Body	25	AG200-25	Screw(3) (M3*5L)
4	AG200-04	Lever	26	AG200-26	Cap
5	AG200-05	Valve Stem	27	AG200-27	Screw (M5*8L)
6	AG200-06	Adjust Valve	28	AG200-28	Key(2)
7	AD54013	O-Ring (4.8*1.9)	29	AG200-29	Exhaust Cover
8	AG200-08	Spring	30	AG200-30	Bevel Gear
9	AG200-09	O-Ring (7.8*1.9)	31	AG200-31	Lock Nut
10	AG200-10	O-Ring (9.8*2.4)	32	AG200-32	Screw (M4*12L)
11	AG200-11	Throttle Valve Plug	33	AG200-33	Packing
12	AG200-12	Spacer	34	AG200-34	Bearing Cover
13	AG200-13	Ball Bearing (2) (606ZZ)	35	AG200-35	Seal
14	AG200-14	Rear End Plate	36	AG200-36	Spring
15	AG200-15	Rotor	37	AG200-37	Lever Bar
16	AG200-16	Rotor Blade (4)	38	AG200-38	Spring Pin (2*18L)
17	AG200-17	Spring Pin (2.5*5L)	39	AG200-39	Rubber Grip
18	AG200-18	Cylinder	40	AG200-40	Spanner
19	AG200-19	Front End Plate	41	GD2-60	Grinding Wheel 2" #60
20	AD3800AH-20	Ball Bearing(2) (608ZZ)	42	AG200-42	Wrench
21	AG200-21	Lock Nut	43	AG200-43	Wheel Guard
22	AG200-22	Pinion Gear	44	AG200-44	Lock Nut