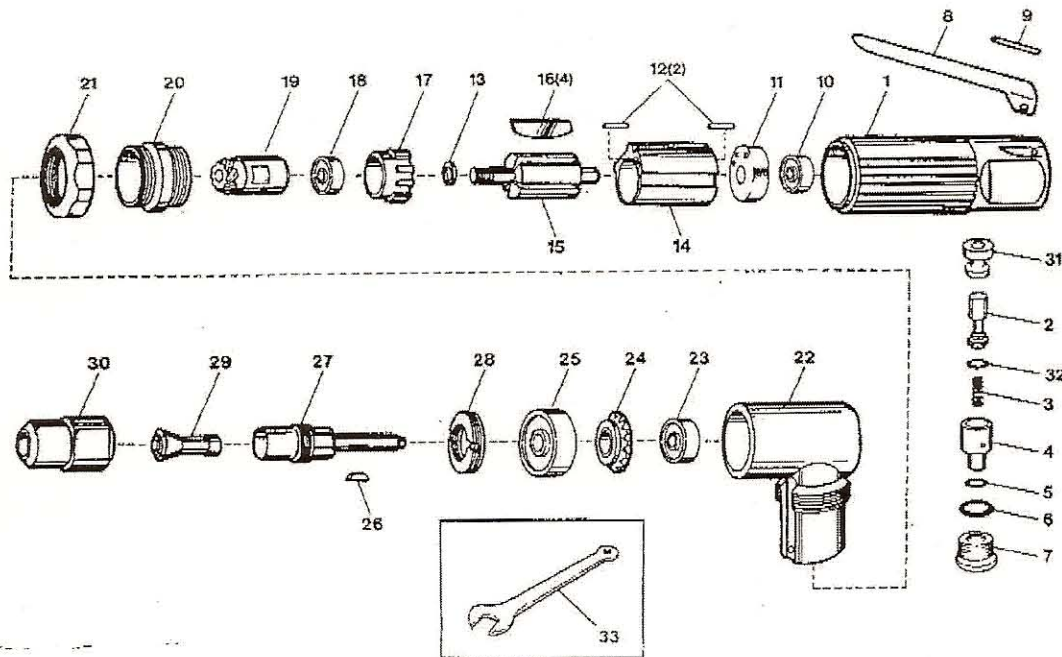


# AG14AH ANGLE HEAD DIE GRINDER



PART NO.	DESCRIPTION	QTY	PART NO.	DESCRIPTION	QTY		
1	AG1408	MOTOR HOUSING	1	18	AG1420	BALL BEARING	1
2	AG1407	THROTTLE VALVE	1	19	AG14A19	PINION	1
3	AG1405	THROTTLE SPRING	1	20	AG14A20	MOTOR CLAMP	1
4	AG1404	AIR REGULATOR	1	21	AG14A21	HOSING LOCK RING	1
5	AG1403	REGULATOR O-RING	1	22	AG14A22	ANGLE HEAD HOUSING	1
6	AG1402	VALVE SCREW O-RING	1	23	AG14A23	BALL BEARING	1
7	AG1401	VALVE SCREW	1	24	AG14A24	SPINDLE GEAR	1
8	AG1409	THROTTLE LEVER	1	25	AG14A25	BALL BEARING	1
9	AG1410	THROTTLE LEVER PIN	1	26	AG14A26	WOODRUFF KEY	1
10	AG1411	BALL BEARING	1	27	AG14A27	SPINDLE	1
11	AG1412	REAR END PLATE	1	28	AG14A28	CLAMP NUT	1
12	AG1413	DOWEL PIN	2	29	AG1424	COLLET	1
13	AG1417	ROTOR COLLAR	1	30	AG1425	COLLET NUT	1
14	AG1414	CYLINDER	1	31	AG1418	THROTTLE VALVE BUSHING	1
15	AG1415	ROTOR	1	32	AG1406	THROTTLE O-RING	1
16	AG1416	ROTOR BLADE	4	33	AG1427	LARGE SPANNER WRENCH	1
17	AG1419	FRONT END PLATE	1	34	AG1428	SMALL SPANNER WRENCH	1
AG14AH001 assembly includes (1,8,9,20, and 21)							
AG14AH002 assembly includes (10,11,12,13,14,15,16,17,18, and 19)							
AG14AH003 assembly includes (22,23,24,25,26,27, and 28)							